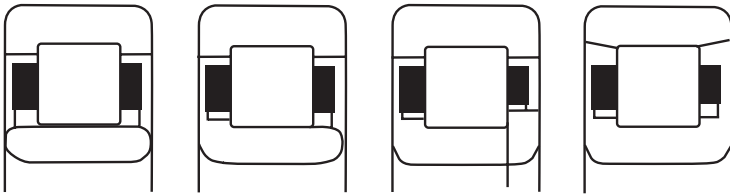


CYLINDRICAL BEARINGS

SINGLE ROW
N, NU, NJ AND NUP STYLES



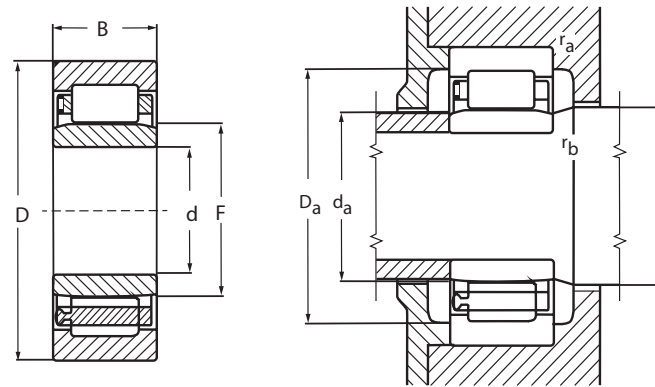
Bearing Number				Load Rating Standard Capacity		Load Rating Extra Capacity		Dimensions					
				dynamic = (c)	static = (Co)	dynamic = (c)	static = (Co)	Bore		OD		Width	
								mm	inch	mm	inch	mm	inch
N204	NU204	NJ204	NUP204	3416	2809	6290	5531	20	0.7874	47	1.8504	14	0.5512
N205	NU205	NJ205	NUP205	3978	3528	6405	6001	25	0.9842	52	2.0472	15	0.5906
N206	NU206	NJ206	NUP206	5259	4832	8923	8518	30	1.1811	62	2.4409	16	0.6299
N207	NU207	NJ207	NUP207	7552	7080	11216	11171	35	1.3780	72	2.8346	17	0.6693
N208	NU208	NJ208	NUP208	9822	9642	11822	11598	40	1.5748	80	3.1496	18	0.7087
N209	NU209	NJ209	NUP209	10339	10541	13868	14520	45	1.7716	85	3.3464	19	0.7480
N210	NU210	NJ210	NUP210	10833	11463	14317	15351	50	1.9685	90	3.5433	20	0.7874
N211	NU211	NJ211	NUP211	13014	14048	18566	20993	55	2.1654	100	3.9370	21	0.8268
N212	NU212	NJ212	NUP212	15464	16970	20993	22701	60	2.3622	110	4.3307	22	0.8661
N213	NU213	NJ213	NUP213	18093	20161	24050	26522	65	2.5590	120	4.7244	23	0.9055
N214	NU214	NJ214	NUP214	18813	21600	26522	30568	70	2.7559	125	4.9212	24	0.9449
N215	NU215	NJ215	NUP215	20791	23825	28995	34839	75	2.9528	130	5.1181	25	0.9842
N216	NU216	NJ216	NUP216	23825	27421	31243	37311	80	3.1496	140	5.5118	26	1.0236
N217	NU217	NJ217	NUP217	27197	31692	36862	43605	85	3.3464	150	5.9055	28	1.1024
N218	NU218	NJ218	NUP218	33490	39109	40458	48325	90	3.5433	160	6.2992	30	1.1811
N219	NU219	NJ219	NUP219	37311	43830	47201	55967	95	3.7402	170	6.6929	32	1.2598
N220	NU220	NJ220	NUP220	40683	48325	55860	68645	100	3.9370	180	7.0866	34	1.3386
N221	NU221	NJ221	NUP221	47201	57541	93953	105417	105	4.1338	190	7.4803	36	1.4173
N222	NU222	NJ222	NUP222	53495	64508	65857	82041	110	4.3307	200	7.8740	38	1.4961
N224	NU224	NJ224	NUP224	57990	81141	74398	93279	120	4.7244	215	8.4646	40	1.5748
N226	NU226	NJ226	NUP226	60238	76197	80692	100247	130	5.1181	230	9.0551	40	1.5748
N228	NU228	NJ228	NUP228	69004	87885	83614	107664	140	5.5118	250	9.8425	42	1.6535
N230	NU230	NJ230	NUP230	83164	108788	94823	123585	150	5.9055	270	10.6299	45	1.7716
N232	NU232	NJ232	NUP232	98898	132839	111935	149696	160	6.2992	290	11.4173	48	1.8898
N234	NU234	NJ234	NUP234	112160	152169	138907	186109	170	6.6929	310	12.2047	52	2.0472
N236	NU236	NJ236	NUP236	115901	161160			180	7.0866	320	12.5984	52	2.0472
N238	NU238	NJ238	NUP238	127444	177568	146279	197286	190	7.4803	340	13.3858	55	2.1654
N240	NU240	NJ240	NUP240	142504	200494	161834	220049	200	7.8740	360	14.1732	58	2.2835
N304	NU304	NJ304	NUP304	4742	3843	7125	6046	20	0.7874	52	2.0472	15	0.5906
N305	NU305	NJ305	NUP305	6585	5664	9260	8316	25	0.9842	62	2.4409	17	0.6693
N306	NU306	NJ306	NUP306	8698	7911	11350	10564	30	1.1811	72	2.8346	19	0.7480
N307	NU307	NJ307	NUP307	10630	9912	14340	13845	35	1.3780	80	3.1496	21	0.8268
N308	NU308	NJ308	NUP308	12632	12092	17960	17419	40	1.5748	90	3.5433	23	0.9055
N309	NU309	NJ309	NUP309	16003	15239	21780	21960	45	1.7716	100	3.9370	25	0.9842
N310	NU310	NJ310	NUP310	19532	19375	24724	25174	50	1.9685	110	4.3307	27	1.0630
N311	NU311	NJ311	NUP311	24500	24500	30119	30119	55	2.1654	120	4.7244	29	1.1417
N312	NU312	NJ312	NUP312	27197	27646	33266	34839	60	2.3622	130	5.1181	31	1.2205
N313	NU313	NJ313	NUP313	32142	33940	40234	42706	65	2.5590	140	5.5118	33	1.2992
N314	NU314	NJ314	NUP314	33490	35064	45628	49449	70	2.7559	150	5.9055	35	1.3780
N315	NU315	NJ315	NUP315	42706	46077	53720	58665	75	2.9528	160	6.2992	37	1.4567
N316	NU316	NJ316	NUP316	42706	46527	56866	62261	80	3.1496	170	6.6929	39	1.5354
N317	NU317	NJ317	NUP317	47201	50798	64733	73050	85	3.3464	180	7.0866	41	1.6142
N318	NU318	NJ318	NUP318	53270	58664	72375	78444	90	3.5433	190	7.4803	43	1.6929
N319	NU319	NJ319	NUP319	57316	63834	74390	85637	95	3.7402	200	7.8740	45	1.7716
N320	NU320	NJ320	NUP320	66307	74624	85637	95976	100	3.9370	215	8.4646	47	1.8504
N321	NU321	NJ321	NUP321	79658	91706	93954	105417	105	4.1338	225	8.8582	49	1.9291
N322	NU322	NJ322	NUP322	85862	98224	99573	115307	110	4.3307	240	9.4488	50	1.9685
N324	NU324	NJ324	NUP324	99123	111935	123398	144751	120	4.7244	260	10.2362	55	2.1654
N326	NU326	NJ326	NUP326	116880	136435	136435	162283	130	5.1181	280	11.0236	58	2.2835
N328	NU328	NJ328	NUP328	136435	164531	158013	193527	140	5.5118	300	11.8110	62	2.4409
N330	NU330	NJ330	NUP330	149921	182738	179366	222072	150	5.9055	320	12.5984	65	2.5590



CYLINDRICAL BEARINGS

SINGLE ROW NU 5200 SERIES

- Two flange outer race and straight inner race
- Roller assembly retained in outer race
- 2-pc bronze cage
- Standard C-3 internal clearance



Bearing Number	Dimensions				Basic Load Ratings		Limiting speed for lubrication with grease oil		Weight Lbs.	Fillet Radius (max shaft and housing radii bearing will clean)		Shoulder Dimensions	
	d	D	B	F O.D. Inner Race	Dynamic (Cr)	Static (Co)	Min ⁻¹	Lbs.		Shaft	Housing	Min.	Max.
					Lbs.	Lbs.			Da			da	
NU5208M	1.5748	3.1496	1.1875	1.966	19780	24050	7500	8900	1.62	.060	.040	2.75	1.87
NU5209M	1.7717	3.3465	1.1875	2.186	18540	24949	6700	7900	1.75	.060	.040	2.96	2.08
NU5210M	1.9685	3.5433	1.1875	2.380	21195	27197	6300	7500	2.15	.060	.040	3.17	2.26
NU5211M	2.1654	3.9370	1.3125	2.634	24725	32132	5600	6700	2.64	.080	.060	3.48	2.50
NU5212M	2.3622	4.3307	1.4375	2.850	32479	41807	5300	6300	3.50	.080	.060	3.86	2.71
NU5213M	2.5591	4.7244	1.500	3.166	35514	45853	4700	5600	4.14	.100	.060	4.18	3.01
NU5214M	2.7559	4.9213	1.5625	3.337	35514	48775	4700	5600	4.88	.100	.060	4.41	3.17
NU5215M	2.9528	5.1181	1.6250	3.504	41582	58215	4500	5300	5.30	.100	.060	4.59	3.33
NU5216M	3.1496	5.5118	1.750	3.751	46752	65183	4200	5000	6.40	.100	.080	4.94	3.56
NU5217M	3.3465	5.9055	1.9375	4.016	55293	76190	3800	4500	8.20	.125	.080	5.31	3.82
NU5218M	3.5433	6.2992	2.0625	4.221	60014	82940	3500	4200	9.86	.125	.080	5.62	4.01
NU5219M	3.7402	6.6929	2.1875	4.469	64284	88712	3300	4000	12.43	.125	.080	5.97	4.25
NU5220M	3.9370	7.0866	2.3750	4.764	77995	111935	3200	3800	14.28	.156	.080	6.37	4.53
NU5221M	4.1339	7.4803	2.5625	4.981	91930	132390	3000	3500	17.47	.156	.080	6.66	4.73
NU5222M	4.3307	7.8740	2.7500	5.234	103460	151652	3000	3500	22.0	.156	.080	6.96	4.97
NU5224M	4.7244	8.4646	3.0000	5.714	120476	182513	2700	3200	25.98	.187	.080	7.55	5.43
NU5226M	5.1181	9.0551	3.1250	6.101	129692	198472	2500	3000	30.36	.187	.100	8.15	5.80
NU5228M	5.5118	9.8425	3.2500	6.632	148798	225669	2200	2700	37.62	.187	.100	8.86	6.30
NU5230M	5.9055	10.6299	3.500	7.147	217352	342990	2000	2400	50.38	.250	.100	9.55	6.79
NU5232M	6.2992	11.4173	3.875	7.623	203192	327265	1900	2200	63.58	.250	.100	10.08	7.24
NU5234M	6.6929	12.2047	4.125	8.090	216903	343220	1800	2100	78.10	.250	.125	10.81	7.68
NU5236M	7.0866	12.5984	4.250	8.515	237825	384975	1600	1900	83.43	.250	.125	11.26	8.09
NU5238M	7.4803	13.3858	4.500	9.015	250618	409306	1700	2100	98.70	.312	.125	11.91	8.56
NU5240M	7.8740	14.1732	4.750	9.530	282985	469544	1450	1800	119.36	.312	.125	12.61	9.06

