





MOTORS

NEMA standard full line motors

IDC SELECT[®]
www.IDCselect.com

Electric Motors

To compete in today's global marketplace, you need a supplier who can provide electric motors that meet your quality, cost, and delivery requirements. That is why you rely on IDC Select®.

IDC Select® motors are both high quality and a great value. IDC Select® offers NEMA design motors manufactured using state of the art equipment, including fully automated winding equipment and a VPI epoxy resin system for windings. IDC Select® motors are manufactured in ISO 9001 certified facilities and have  and  ratings.

IDC Select® motors come in a variety of frame configurations to meet your demanding needs. This offering includes single phase, farm duty, and three phase motors in rolled steel. IDC Select® premium efficient NEMA design B and crusher duty NEMA design C motors come standard with an IP55 rating. The stainless steel motors come standard with an IP66 washdown rating.

Contact IDC Select® at info@IDCselect.com for questions or with special requests.

NEMA® is a registered trademark and service mark of the National Electrical Manufacturers Association.

ROLLED STEEL TEFC MOTORS

Single Phase Footed	5
Single Phase C-face Footed.....	6
Single Phase Farm Duty	7
Three Phase Footed.....	8
Three Phase C-face Footed & Footless.....	9

STAINLESS STEEL MOTORS

C-face Footed & Footless.....	11
-------------------------------	----

CAST IRON TEFC MOTORS

Premium Efficient Footed.....	13
Premium Efficient C-face Footed & Footless.....	14
Crusher Duty (EISA Compliant NEMA Design C Footed).....	15
Crusher Duty (EISA Compliant NEMA Design C-Face Footed & Footless).....	16

NOMENCLATURE AND DIMENSIONAL INFORMATION

Nomenclature.....	17
Dimensional Information.....	18

MOTOR BASES

Style A & A2.....	29
Style B & B2.....	30

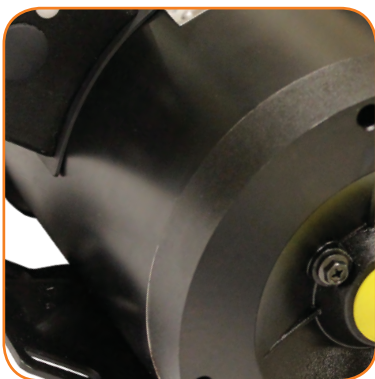
INFORMATION

Disclaimer.....	31
-----------------	----

SINGLE PHASE AND THREE PHASE ROLLED STEEL TEFC MOTORS

IDC Select® offers single phase, three phase and farm duty design rolled steel motors. Single phase motors are available in 1/3 HP to 5 HP, in both footed and C-face footed design. Farm duty motors are available in 1/3 HP to 10 HP, footed designs.

Three phase motors are available in 1/3 HP to 10 HP, including footed, C-face footed, and C-face footless designs. IDC Select® three phase rolled steel motors are inverter duty rated, with 56 frame motors at 5:1 constant torque and 10:1 variable torque. Any frame sizes 140 or larger offer a 10:1 constant torque and 20:1 variable torque rating.



ROLLED STEEL SINGLE PHASE TEFC

FOOTED

- Aluminum end shield on 140 frame and smaller
- Cast iron end shield on 180 frame and larger
- NEMA design B
- TEFC
- IP 55
- Class F insulation VPI epoxy resin system protection
- Double shielded bearings
- Utilizes a rubber slinger on the drive end
- 140T & above double punched foot



HP	RPM	Voltage	Frame	Part Number	SF	Full Load Efficiency	Full Load Amps	Ship Weight (lbs)
1/3	3600	115/230V	56	IDC RS561/3-2-1B	1.35	58	5.2/2.6	23
	1800	115/230V	56	IDC RS561/3-4-1B	1	65	4.8/2.4	22
1/2	3600	115/230V	56	IDC RS561/2-2-1B	1.15	65	6.6/3.3	26
	3600	115/230V	56	IDC RS561-1/2-2-1B	1.15	74	13.8/6.9	45
1/2	1800	115/230V	56	IDC RS561/2-4-1B	1.25	69	6.4/3.2	23
	3600	115/230V	56	IDC RS563/4-2-1B	1.15	70	8.6/4.3	30
3/4	1800	115/230V	56	IDC RS563/4-4-1B	1	73	8.8/4.4	25
	3600	115/230V	56	IDC RS561-2-1B	1.15	73	10.8/5.4	36
1	1800	115/230V	56	IDC RS561-4-1B	1.15	75	11.2/5.6	40
	3600	115/230V	56	IDC RS561-1/2-2-1B	1.15	74	13.8/6.9	45
1 1/2	1800	115/230V	145T	IDC RS145T1-1/2-4-1B	1	76	13.4/6.7	48
	3600	115/230V	56	IDC RS56CH2-2-1B	1.15	76	18.0/9.0	40
2	3600	115/230V	145T	IDC RS145T2-2-1B	1.15	76	18.0/9.0	75
	1800	115/230V	56	IDC RS562-4-1B	1.15	77	17.8/8.9	75
2	1800	115/230V	145T	IDC RS145T2-4-1B	1.15	77	17.8/8.9	75
	3600	230V	182T	IDC RS182T3-2-1B	1	78	13.1	81
3	1800	230V	182T	IDC RS182T3-4-1B	1	79	13	75
	3600	230V	184T	IDC RS184T5-2-1B	1	80	21.3	97
5	1800	230V	184T	IDC RS184T5-4-1B	1	82	20.8	90
	3600	230V	213T	IDC RS213T7-1/2-2-1B	1	83	30.9	96
7 1/2	1800	230V	213T	IDC RS213T7-1/2-4-1B	1	84	30.5	126
	3600	230V	215T	IDC RS215T10-2-1B	1	85	40.2	130
10	1800	230V	215T	IDC RS215T10-4-1B	1	86	39.7	135

Dimensional data on page 18.

IDC SELECT® MOTORS

SINGLE PHASE MOTORS

ROLLED STEEL SINGLE PHASE TEFC

C-FACE FOOTED AND FOOTLESS

- Aluminum end shield on 140 frame and smaller
- Cast iron end shield on 180 frame and larger
- NEMA design B
- TEFC
- IP 55
- Class F insulation VPI epoxy resin system protection
- Double shielded bearings
- Utilizes a rubber slinger on the drive end
- 140T & above double punched foot



SINGLE PHASE

HP	RPM	Voltage	Frame	Part Number		SF	Full Load Efficiency	Full Load Amps	Ship Weight (lbs)
				Footed	Footless				
1/8	3600	115/230V	56C	IDC RS56C1/3-2-1B	IDC RS56C1/3-2-1B-RB	1.35	58	5.2/2.6	23
	1800	115/230V	56C	IDC RS56C1/3-4-1B	IDC RS56C1/3-4-1B-RB	1	65	4.8/2.4	22
1/2	3600	115/230V	56C	IDC RS56C1/2-2-1B	IDC RS56C1/2-2-1B-RB	1.15	65	6.6/3.3	26
	1800	115/230V	56C	IDC RS56C1/2-4-1B	IDC RS56C1/2-4-1B-RB	1.25	69	6.4/3.2	23
3/4	3600	115/230V	56C	IDC RS56C3/4-2-1B	IDC RS56C3/4-2-1B-RB	1.15	70	8.6/4.3	30
	1800	115/230V	56C	IDC RS56C3/4-4-1B	IDC RS56C3/4-4-1B-RB	1	73	8.8/4.4	25
1	3600	115/230V	56C	IDC RS56C1-2-1B	IDC RS56C1-2-1B-RB	1.15	73	10.8/5.4	36
	1800	115/230V	56C	IDC RS56C1-4-1B	IDC RS56C1-4-1B-RB	1.15	75	11.2/5.6	40
1 1/2	3600	115/230V	56C	IDC RS56C1-1/2-2-1B	IDC RS56C1-1/2-2-1B-RB	1.15	74	13.8/6.9	43
	3600	115/230V	145TC/143TC	IDC RS145TC1-1/2-2-1B	IDC RS143TC1-1/2-2-1B-RB	1.15	74	13.8/6.9	45
	1800	115/230V	145TC	IDC RS145TC1-1/2-4-1B	IDC RS145TC1-1/2-4-1B-RB	1	76	13.4/6.7	48
2	3600	115/230V	56CH	IDC RS56CH2-2-1B	IDC RS56C2-2-1B-RB	1.15	76	18.0/9.0	40
	1800	115/230V	56C	IDC RS56C2-4-1B	IDC RSC2-4-1B-RB	1.15	77	17.8/8.9	80
	1800	115/230V	145TC	IDC RS145TC2-4-1B	IDC RS145TC2-4-1B-RB	1.15	77	17.8/8.9	75
3	3600	230V	182TC	IDC RS182TC3-2-1B	IDC RS182TC3-2-1B-RB	1	78	13.1	81
	1800	230V	182TC	IDC RS182TC3-4-1B	IDC RS182TC3-4-1B-RB	1	79	13	75
5	3600	230V	184TC	IDC RS184TC5-2-1B	IDC RS184TC5-2-1B-RB	1	80	21.3	97
	1800	230V	184TC	IDC RS184TC5-4-1B	IDC RS184TC5-4-1B-RB	1	82	20.8	90

Dimensional data on page 19.

ROLLED STEEL SINGLE PHASE TEFC

FARM DUTY

- Aluminum end shield on 140 frame and smaller
- Cast iron end shield on 180 frame and larger
- Hi torque over 300% starting torque
- NEMA design B
- TEFC
- IP 55
- Class F insulation VPI epoxy resin system protection
- Double shielded bearings
- Utilizes a rubber slinger on the drive end
- 140T & above double punched foot
- Manual overload protection from 1/3 HP to 5 HP



HP	RPM	Voltage	Frame	Part Number	SF	Full Load Amps	Manual Overload Protector	Ship Weight (lbs)
1/3	1800	115/230V	56C	IDC FD561/3-4-1B	1.15	6.2/3.1	Yes	20
1/2	1800	115/230V	56C	IDC FD561/2-4-1B	1.15	8.0/4.0	Yes	20
3/4	1800	115/230V	56C	IDC FD563/4-4-1B	1.15	10.8/5.4	Yes	20
1	1800	115/230V	56C	IDC FD143T1-4-1B	1.00	15.0/7.5	Yes	48
	1800	115/230V	56CH	IDC FD56H1-4-1B	1.15	14.4/7.2	Yes	20
1 1/2	1800	115/230V	145T	IDC FD145T1-1/2-4-1B	1.15	16.2/8.1	Yes	41
	1800	115/230V	56H	IDC FD56H1-1/2-4-1B	1.15	16.2/8.1	Yes	24
2	1800	115/230V	56H	IDC FD56H2-4-1B	1.00	20.0/10.0	Yes	40
	1800	115/230V	145T	IDC FD145T2-4-1B	1.00	20.0/10.0	Yes	56
3	1800	230V	184T	IDC FD182T3-4-1B	1.00	14.5	Yes	74
5	1800	230V	184T	IDC FD184T5-4-1B	1.00	22.0	Yes	85
7 1/2	1800	230V	213T	IDC FD213T7-1/2-4-1B	1.00	30	No	147
10	1800	230V	215T	IDC FD215T10-4-1B	1.00	38.0	No	180

Dimensional data on page 20.

IDC SELECT® MOTORS

THREE PHASE MOTORS

ROLLED STEEL THREE PHASE TEFC

FOOTED

- Aluminum end shield on 140 frame and smaller
- Cast iron end shield on 180 frame and larger
- 1/3 HP to 1 HP 56 frame NEMA design B
- 1 HP 140 frame to 10 HP NEMA design C
- TEFC
- IP 55
- Class F insulation VPI epoxy resin system protection
- Double shielded bearings
- Utilizes a rubber slinger on the drive end
- 140T & above double punched foot
- Inverter rated CT 5:1 VT 10:1



THREE PHASE

HP	RPM	Voltage	Frame	Part Number	SF	Full Load Efficiency	Full Load Amps	Ship Weight (lbs)
1/3	1800	230/460V	56	IDC RS561/3-4-3B	1	67	1.38/0.69	22
	3600	230/460V	56	IDC RS561/2-2-3B	1	74	1.65/0.83	26
1/2	1800	230/460V	56	IDC RTRS561/2-4-3B	1	70	1.84/0.92	23
	3600	230/460V	56	IDC RS563/4-2-3B	1	76	2.34/1.17	30
3/4	1800	230/460V	56	IDC RS563/4-4-3B	1	74	2.57/1.28	25
	3600	230/460V	145T	IDC RS145T1-2-3C	1.25	77	3.13/1.57	39
1	1800	230/460V	56	IDC RS561-4-3B	1.25	85.5	2.98/1.49	42
	3600	230/460V	143T	IDC RS143T1-1/2-2-3C	1.25	84	3.96/1.98	51
1 1/2	1800	230/460V	143T	IDC RS143T1-1/2-4-3C	1.25	86.5	4.20/2.10	50
	3600	230/460V	145T	IDC RS145T2-2-3C	1.25	85.5	5.31/2.65	55
2	1800	230/460V	56	IDC RS562-4-3C	1.25	86.5	5.65/2.83	52
	3600	230/460V	182T	IDC RS182T3-2-3C	1.25	86.5	7.17/3.59	83
3	1800	230/460V	182T	IDC RS182T3-4-3C	1.25	89.5	7.81/3.91	76
	3600	230/460V	184T	IDC RS184T5-2-3C	1.25	88.5	11.5/5.77	98
5	1800	230/460V	184T	IDC RS184T5-4-3C	1.25	89.5	13.1/6.57	92
	3600	230/460V	213T	IDC RS213T7-1/2-2-3C	1.25	89.5	17.5/8.76	87
7 1/2	1800	230/460V	213T	IDC RS213T7-1/2-4-3C	1.25	91.7	18.1/9.17	128
	3600	230/460V	215T	IDC RS215T10-2-3C	1.25	90.2	23.7/11.9	123
10	1800	230/460V	215T	IDC RS215T10-4-3C	1.25	91.7	24.7/12.4	136

Dimensional data on page 21.

ROLLED STEEL THREE PHASE

C-FACE FOOTED & FOOTLESS

- Aluminum end shield on 140 frame and smaller
- Cast iron end shield on 180 frame and larger
- 1/3 HP to 1 HP 56 frame NEMA design B
- 1 HP 140 frame to 10 HP NEMA design C
- TEFC
- IP 55
- Class F insulation VPI epoxy resin system protection
- Double shielded bearings
- Utilizes a rubber slinger on the drive end
- 140TC & above double punched foot
- Inverter rated CT 5:1 VT 10:1



THREE PHASE

HP	RPM	Voltage	Frame	Part Number		SF	Full Load Efficiency	Full Load Amps	Ship Weight (lbs)
				Footed	Footless				
1/3	3600	230/460V	56C	IDC RS56C1/3-2-3B	IDC RS56C1/3-2-3B-RB	1	72	1.16/0.58	23
	1800	230/460V	56C	IDC RS56C1/3-4-3B	IDC RS56C1/3-4-3B-RB	1	67	1.38/0.69	22
1/2	3600	230/460V	56C	IDC RS56C1/2-2-3B	IDC RS56C1/2-2-3B-RB	1	74	1.65/0.83	26
	1800	230/460V	56C	IDC RS56C1/2-4-3B	IDC RS56C1/2-4-3B-RB	1	70	1.84/0.92	23
3/4	3600	230/460V	56C	IDC RS56C3/4-2-3B	IDC RS56C3/4-2-3B-RB	1	76	2.34/1/17	30
	1800	230/460V	56C	IDC RS56C3/4-4-3B	IDC RS56C3/4-4-3B-RB	1	74	2.57/1.28	25
1	3600	230/460V	56C	IDC RS56C1-2-3B	IDC RS56C1-2-3B-RB	1.25	77	3.13/1.57	39
	3600	230/460V	143TC	IDC RS143TC1-2-3C	IDC RS143TC1-2-3C-RB	1.25	77	3.13/1.57	39
	1800	230/460V	56C	IDC RS56C1-4-3B	IDC RS56C1-4-3B-RB	1.25	85.5	2.98/1.49	42
	1800	230/460V	143TC	IDC RS143TC1-4-3C	IDC RS143TC1-4-3C-RB	1.25	85.5	2.98/1.49	50
1 1/2	3600	230/460V	143TC	IDC RS143TC1-1/2-2-3C	IDC RS143TC1-1/2-2-3C-RB	1.25	84.0	3.96/1.98	51
	1800	230/460V	56C	IDC RS56C1-1/2-4-3C	IDC RS56C1-1/2-4-3C-RB	1.25	84	3.96/1.98	41
	1800	230/460V	143TC	IDC RS143TC1-1/2-4-3C	IDC RS143TC1-1/2-4-3C-RB	1.25	86.5	4.20/2.10	50
2	3600	230/460V	56C	IDC RS56C2-2-3C	IDC RS56C2-2-3C-RB	1.25	85.5	3.96/1.98	51
	3600	230/460V	145TC	IDC RS145TC2-2-3C	IDC RS145TC2-2-3C-RB	1.25	85.5	5.31/2.65	55
	1800	230/460V	56C	IDC RS56CH2-4-3C	IDC RS56C2-4-3C-RB	1.25	86.5	5.65/2.83	52
	1800	230/460V	145TC	IDC RS145TC2-4-3C	IDC RS145TC2-4-3C-RB	1.25	86.5	5.51/2.76	53
3	3600	230/460V	182TC	IDC RS182TC3-2-3C	IDC RS182TC3-2-3C-RB	1.25	86.5	7.17/3.59	83
	1800	230/460V	182TC	IDC RS182TC3-4-3C	IDC RS182TC3-4-3C-RB	1.25	89.5	7.81/3.91	76
5	3600	230/460V	184TC	IDC RS184TC5-2-3C	IDC RS184TC5-2-3C-RB	1.25	88.5	11.5/5.77	98
	1800	230/460V	184TC	IDC RS184TC5-4-3C	IDC RS184TC5-4-3C-RB	1.25	89.5	13.1/6.57	92
7 1/2	3600	230/460V	213TC	IDC RS213TC7-1/2-2-3C	IDC RS213TC7-1/2-2-3C-RB	1.25	89.5	17.5/8.76	87
	1800	230/460V	213TC	IDC RS213TC7-1/2-4-3C	IDC RS213TC7-1/2-4-3C-RB	1.25	91.7	18.1/9.17	128
10	3600	230/460V	215TC	IDC RS215TC10-2-3C	IDC RS215TC10-2-3C-RB	1.25	90.2	23.7/11.9	123
	1800	230/460V	215TC	IDC RS215TC10-4-3C	IDC RS215TC10-4-3C-RB	1.25	91.7	24.7/12.4	136

Dimensional data on page 22.

STAINLESS STEEL C-FACE FOOTED & FOOTLESS

IDC Select® stainless steel motors are available from 1/3 HP to 10 HP in C-face footed and C-face footless designs, and all have an IP 66 washdown rating. IDC Select® stainless steel motors are inverter duty rated at 5:1 constant torque and 10:1 variable torque.

Fractional horsepower motors are a totally enclosed non-ventilated (TENV) design. Integral horsepower motors are a totally enclosed fan cooled (TEFC) design. All IDC Select® stainless steel motors are IP 66 rated for use in food processing and other severe environments with frequent exposure to washdown.

STAINLESS STEEL



IDC SELECT® MOTORS

STAINLESS STEEL MOTORS

STAINLESS STEEL

C-FACE FOOTED & FOOTLESS

- 1/3 HP to 1 HP 56C frame NEMA design B
- 1 HP 140TC frame to 10 HP NEMA design C
- TEFC
- IP 66 washdown motor
- Class F insulation VPI epoxy resin system protection
- Double shielded bearings with lip seals
- 140T & above double punched foot
- Four condensate drains in each end plate
- Inverter rated CT 5:1 VT 10:1



HP	RPM	Voltage	Frame	Part Number		Full Load Efficiency	Full Load Amps 460V	Ship Weight (lbs)	*Note
				Footed	Footless				
1/3	1800	208-230/460V	56C	IDC SS56C1/3-4-3B	IDC SS56C1/3-4-3B-RB	0.6	79.8	41	TENV
	3600	208-230/460V	56C	IDC SS56C1/2-2-3B	IDC SS56C1/2-2-3B-RB	.84	78.3	42	TENV
1/2	1800	208-230/460V	56C	IDC SS56C1/2-4-3B	IDC SS56C1/2-4-3B-RB	.87	81.2	48	TENV
	3600	208-230/460V	56C	IDC SS56C3/4-2-3B	IDC SS56C3/4-2-3B-RB	1.17	81.9	47	TENV
3/4	1800	208-230/460V	56C	IDC SS56C3/4-4-3B	IDC SS56C3/4-4-3B-RB	1.25	81.3	53	TENV
	3600	208-230/460V	56C	IDC SS56C1-2-3B	IDC SS56C1-2-3B-RB	1.48	83.3	58	
1	1800	208-230/460V	56C	IDC SS56C1-4-3B	IDC SS56C1-4-3B-RB	1.58	82.3	60	
	1800	208-230/460V	143TC	IDC SS143TC1-4-3C	IDC SS143TC1-4-3C-RB	1.5	82.5	75	
	3600	208-230/460V	56C	IDC SS56C1-1/2-2-3C	IDC SS56C1-1/2-2-3C-RB	2.05	82.3	64	
1 1/2	3600	208-230/460V	143TC	IDC SS143TC1-1/2-2-3C	IDC SS143TC1-1/2-2-3C-RB	2	82.5	72	
	1800	208-230/460V	56C	IDC SS56C1-1/2-4-3C	IDC SS56C1-1/2-4-3C-RB	2.01	82	65	
	1800	208-230/460V	145TC	IDC SS145TC1-1/2-4-3C	IDC SS145TC1-1/2-4-3C-RB	2.2	84	70	
2	3600	208-230/460V	56C	IDC SS56C2-2-3C	IDC SS56C2-2-3C-RB	2.62	83	73	
	3600	208-230/460V	145TC	IDC SS145TC2-2-3C	IDC SS145TC2-2-3C-RB	2.7	84	82	
	1800	208-230/460V	56C	IDC SS56C2-4-3C	IDC SS56C2-4-3C-RB	2.69	85	78	
	1800	208-230/460V	145TC	IDC SS145TC2-4-3C	IDC SS145TC2-4-3C-RB	2.8	84	80	
3	3600	208-230/460V	145TC	IDC SS145TC3-2-3C	IDC SS145TC3-2-3C-RB	3.8	84	90	
	3600	208-230/460V	182TC	IDC SS182TC3-2-3C	IDC SS182TC3-2-3C-RB	3.8	85.5	95	
1800	208-230/460V	182TC	IDC SS182TC3-4-3C	IDC SS182TC3-4-3C-RB	3.9	87.5	102		
	3600	208-230/460V	184TC	IDC SS184TC5-2-3C	IDC SS184TC5-2-3C-RB	6.1	87.5	116	
5	1800	208-230/460V	184TC	IDC SS184TC5-4-3C	IDC SS184TC5-4-3C-RB	6.5	87.5	130	
	3600	208-230/460V	213TC	IDC SS213TC7-1/2-2-3C	IDC SS213TC7-1/2-2-3C-RB	8.9	88.5	175	
7 1/2	1800	208-230/460V	213TC	IDC SS213TC7-1/2-4-3C	IDC SS213TC7-1/2-4-3C-RB	9.4	89.5	190	
	3600	208-230/460V	215TC	IDC SS215TC10-2-3C	IDC SS215TC10-2-3C-RB	11.8	89.5	202	
10	1800	208-230/460V	215TC	IDC SS215TC10-4-3C	IDC SS215TC10-4-3C-RB	12.5	90.2	207	

STAINLESS STEEL

*Totally enclosed non-ventilated
Dimensional data on page 23.

PREMIUM EFFICIENT AND CRUSHER DUTY CAST IRON TEFC MOTORS

IDC Select® cast iron motors are available in premium efficient NEMA design B and crusher duty NEMA design C motors ranging from 1 HP to 100 HP. Both designs are an IP55 rating. They are available in footed, C-face footed and C-face footless designs.

Premium efficient motors are inverter duty with a 10:1 constant torque and 20:1 variable torque rating. Crusher duty motors are inverter duty, with a 5:1 constant torque rating and 10:1 variable torque rating.



IDC SELECT® MOTORS

CAST IRON TEFC MOTOR

PREMIUM EFFICIENT FOOTED

- Steel fan cover
- Inverter rated CT 10:1 VT 20:1
- Cast iron conduit box with wiring diagram inside
- NEMA design B
- TEFC
- IP 55
- Cast iron grade 200HT
- Double punched foot
- Class F insulation VPI epoxy resin system protection
- Double sealed bearings
- Regreasable bearings on 284T frame and larger
- High grade silica electrical steel is utilized for the core of the motor winding producing a rotor with extremely low core losses



HP	RPM	Voltage	Frame	Part Number	Full Load Efficiency	Full Load Amps	Ship Weight (lbs)
1	1800	208-230/460V	143T	IDC PE143T1-4-3B	85.5	1.43	54
1½	3600	208-230/460V	143T	IDC PE143T1-1/2-2-3B	84	1.98	45
	1800	208-230/460V	145T	IDC PE145T1-1/2-4-3B	86.5	2	56
2	3600	208-230/460V	145T	IDC PE145T2-2-3B	85.5	2.65	52
	1800	208-230/460V	145T	IDC PE145T2-4-3B	86.5	2.63	58
3	3600	208-230/460V	182T	IDC PE182T3-2-3B	87.5	3.68	99
	1800	208-230/460V	182T	IDC PE182T3-4-3B	89.5	3.9	99
5	3600	208-230/460V	184T	IDC PE184T5-2-3B	89.5	5.76	114
	1800	208-230/460V	184T	IDC PE184T5-4-3B	89.5	6.4	108
7½	3600	208-230/460V	213T	IDC PE213T7-1/2-2-3B	91	8.63	134
	1800	208-230/460V	213T	IDC PE213T7-1/2-4-3B	91.7	9.29	165
10	3600	208-230/460V	215T	IDC PE215T10-2-3B	91.7	11.5	173
	1800	208-230/460V	215T	IDC PE215T10-4-3B	91.7	12.6	172
15	3600	208-230/460V	254T	IDC PE254T15-2-3B	91.7	16.9	280
	1800	208-230/460V	254T	IDC PE254T15-4-3B	92.4	18	291
20	3600	208-230/460V	256T	IDC PE256T20-2-3B	92.4	22.9	313
	1800	208-230/460V	256T	IDC PE256T20-4-3B	93	24.4	324
25	3600	208-230/460V	284TS	IDC PE284TS25-2-3B	93	28.4	353
	1800	208-230/460V	284T	IDC PE284T25-4-3B	93.6	29.5	481
30	3600	208-230/460V	286TS	IDC PE286TS30-2-3B	93	33.4	428
	1800	208-230/460V	286T	IDC PE286T30-4-3B	93.6	35.1	525
40	3600	208-230/460V	324TS	IDC PE324TS40-2-3B	93.6	45.8	561
	1800	208-230/460V	324T	IDC PE324T40-4-3B	94.1	48.3	640
50	3600	208-230/460V	326TS	IDC PE326TS50-2-3B	94.1	55.5	607
	1800	208-230/460V	326T	IDC PE326T50-4-3B	94.5	60.6	662
60	3600	208-230/460V	364TS	IDC PE364TS60-2-3B	94.1	68.3	992
	1800	208-230/460V	364T	IDC PE364T60-4-3B	95	68.4	1036
75	3600	208-230/460V	365TS	IDC PE365TS75-2-3B	95	82.6	1025
	1800	208-230/460V	365T	IDC PE365T75-4-3B	95.4	82.3	1025
100	3600	208-230/460V	405TS	IDC PE405TS100-2-3B	95	111	1361
	1800	208-230/460V	405T	IDC PE405T100-4-3B	95.4	112	1302

Dimensional data on page 24.

IDC SELECT® MOTORS

CAST IRON TEFC MOTOR

PREMIUM EFFICIENT C-FACE FOOTED & FOOTLESS

- Steel fan cover
- Inverter rated CT 10:1 VT 20:1
- Cast iron conduit box with wiring diagram inside
- NEMA design B
- TEFC
- IP 55
- Cast iron grade 200HT
- Double punched foot
- Class F insulation VPI epoxy resin system protection
- Double sealed bearings
- Regreasable bearings on 284T frame and larger
- High grade silica electrical steel is utilized for the core of the motor winding producing a rotor with extremely low core losses



HP	RPM	Voltage	Frame	Part Number		Full Load Efficiency	Full Load Amps	Ship Weight (lbs)
				Footed	Footless			
1	1800	208-230/460V	143TC	IDC PE143TC1-4-3B	IDC PE143TC1-4-3B-RB	82.5	1.43	54
1½	3600	208-230/460V	143TC	IDC PE143TC1-1/2-2-3B	IDC PE143TC1-1/2-2-3B-RB	84	1.98	45
	1800	208-230/460V	145TC	IDC PE145TC1-1/2-4-3B	IDC PE145TC1-1/2-4-3B-RB	86.5	2	56
2	3600	208-230/460V	145TC	IDC PE145TC2-2-3B	IDC PE145TC2-2-3B-RB	85.5	2.65	52
	1800	208-230/460V	145TC	IDC PE145TC2-4-3B	IDC PE145TC2-4-3B-RB	86.5	2.63	58
3	3600	208-230/460V	182TC	IDC PE182TC3-2-3B	IDC PE182TC3-2-3B-RB	87.5	3.68	99
	1800	208-230/460V	182TC	IDC PE182TC3-4-3B	IDC PE182TC3-4-3B-RB	89.5	3.9	99
5	3600	208-230/460V	184TC	IDC PE184TC5-2-3B	IDC PE184TC5-2-3B-RB	89.5	5.76	114
	1800	208-230/460V	184TC	IDC PE184TC5-4-3B	IDC PE184TC5-4-3B-RB	89.5	6.4	108
7½	3600	208-230/460V	213TC	IDC PE213TC7-1/2-2-3B	IDC PE213TC7-1/2-2-3B-RB	91	8.63	134
	1800	208-230/460V	213TC	IDC PE213TC7-1/2-4-3B	IDC PE213TC7-1/2-4-3B-RB	91.7	9.29	165
10	3600	208-230/460V	215TC	IDC PE215TC10-2-3B	IDC PE215TC10-2-3B-RB	91.7	11.5	173
	1800	208-230/460V	215TC	IDC PE215TC10-4-3B	IDC PE215TC10-4-3B-RB	91.7	12.6	172
15	3600	208-230/460V	254TC	IDC PE254TC15-2-3B	IDC PE254TC15-2-3B-RB	91.7	16.9	280
	1800	208-230/460V	254TC	IDC PE254TC15-4-3B	IDC PE254TC15-4-3B-RB	92.4	18	291
20	3600	208-230/460V	256TC	IDC PE256TC20-2-3B	IDC PE256TC20-2-3B-RB	92.4	22.9	313
	1800	208-230/460V	256TC	IDC PE256TC20-4-3B	IDC PE256TC20-4-3B-RB	93	24.4	324
25	3600	208-230/460V	284TSC	IDC PE284TSC25-2-3B	IDC PE284TSC25-2-3B-RB	93	28.4	353
	1800	208-230/460V	284TC	IDC PE284TC25-4-3B	IDC PE284TC25-4-3B-RB	93.6	29.5	481
30	3600	208-230/460V	286TSC	IDC PE286TSC30-2-3B	IDC PE286TSC30-2-3B-RB	93	33.4	428
	1800	208-230/460V	286TC	IDC PE286TC30-4-3B	IDC PE286TC30-4-3B-RB	93.6	35.1	525
40	3600	208-230/460V	324TSC	IDC PE324TSC40-2-3B		93.6	45.8	561
	1800	208-230/460V	324TC	IDC PE324TC40-4-3B		94.1	48.3	640
50	3600	208-230/460V	326TSC	IDC PE326TSC50-2-3B		94.1	55.5	607
	1800	208-230/460V	326TC	IDC PE326TC50-4-3B		94.5	60.6	662
60	3600	208-230/460V	364TSC	IDC PE364TSC60-2-3B		94.1	68.3	992
	1800	208-230/460V	364TC	IDC PE364TC60-4-3B		95	68.4	1036
75	3600	208-230/460V	365TSC	IDC PE365TSC75-2-3B		95	82.6	1025
	1800	208-230/460V	365TC	IDC PE365TC75-4-3B		95.4	82.3	1047
100	3600	208-230/460V	405TSC	IDC PE405TSC100-2-3B		95	111	1361
	1800	208-230/460V	405TC	IDC PE405TC100-4-3B		95.4	112	1302

Dimensional data on page 25.

IDC SELECT® MOTORS

CAST IRON TEFC MOTOR

EISA COMPLIANT CRUSHER DUTY CAST IRON MOTORS TEFC

FOOTED

- Steel fan cover
- Inverter rated CT 5:1 VT 10:1
- Cast iron conduit box with wiring diagram inside
- NEMA design C
- TEFC
- IP 55
- Cast iron grade 200HT
- Double punched foot
- Class F insulation VPI epoxy resin system protection
- Double sealed bearings
- Regreasable bearings on 284T frame and larger
- High grade silica electrical steel is utilized for the core of the motor winding producing a rotor with extremely low core losses



HP	RPM	Voltage	Frame	Part Number	Full Load Efficiency	Full Load Amps 460V	Ship Weight (lbs)
1	1800	208-230/460V	143T	IDC HE143T1-4-3C	82.5	1.49	47
1½	3600	208-230/460V	143T	IDC HE143T1-1/2-2-3C	82.5	1.97	48
	1800	208-230/460V	145T	IDC HE145T1-1/2-4-3C	84	2.05	54
2	3600	208-230/460V	145T	IDC HE145T2-2-3C	84	2.6	47
	1800	208-230/460	145T	IDC HE145T2-4-3C	84	2.7	57
3	3600	208-230/460V	182T	IDC HE182T3-2-3C	85.5	3.59	106
	1800	208-230/460V	182T	IDC HE182T3-4-3C	87.5	3.9	97
5	3600	208-230/460V	184T	IDC HE184T5-2-3C	87.5	5.9	114
	1800	208-230/460V	184T	IDC HE184T5-4-3C	87.5	6.48	102
7½	3600	208-230/460V	213T	IDC HE213T7-1/2-2-3C	88.5	8.66	150
	1800	208-230/460V	213T	IDC HE213T7-1/2-4-3C	89.5	9.53	150
10	3600	208-230/460V	215T	IDC HE215T10-2-3C	89.5	11.7	150
	1800	208-230/460V	215T	IDC HE215T10-4-3C	90.2	12.8	165
15	3600	208-230/460V	254T	IDC HE254T15-2-3C	90.2	17	280
	1800	208-230/460V	254T	IDC HE254T15-4-3C	91	17.9	266
20	3600	208-230/460V	256T	IDC HE256T20-2-3C	90.2	23.3	313
	1800	208-230/460V	256T	IDC HE256T20-4-3C	91	24.4	313
25	3600	208-230/460V	284TS	IDC HE284TS25-2-3C	91	29	353
	1800	208-230/460V	284TS	IDC HE284T25-4-3C	92.4	29.6	437
30	3600	208-230/460V	286TS	IDC HE286TS30-2-3C	91	33.8	404
	1800	208-230/460V	286TS	IDC HE286T30-4-3C	92.4	34.4	481
	1800	208-230/460V	286T	IDC HE286T30-4-3C	92.4	34.4	481
40	3600	208-230/460V	324TS	IDC HE324TS40-2-3C	91.7	46.1	561
	1800	208-230/460V	324T	IDC HE324T40-4-3C	93	47.6	587
50	3600	208-230/460V	326TS	IDC HE326TS50-2-3C	92.4	56.5	594
	1800	208-230/460V	326T	IDC HE326T50-4-3C	93.6	57.8	640
60	3600	208-230/460V	364TS	IDC HE364TS60-2-3C	93	69	917
	1800	208-230/460V	364T	IDC HE364T60-4-3C	93.6	67	963
75	3600	208-230/460V	365TS	IDC HE365TS75-2-3C	94.1	82.4	1010
	1800	208-230/460V	365T	IDC HE365T75-4-3C	94.1	82.4	1010
100	3600	208-230/460V	405TS	IDC HE405TS100-2-3C	93.6	113	1361
	1800	208-230/460V	405T	IDC HE405T100-4-3C	94.5	115	1273

Dimensional data on page 26.



IDC SELECT® MOTORS

CAST IRON TEFC MOTOR

EISA COMPLIANT CRUSHER DUTY CAST IRON MOTORS TEFC

C-FACE FOOTED & FOOTLESS

- Steel fan cover
- Inverter rated CT 5:1 VT 10:1
- Cast iron conduit box with wiring diagram inside
- NEMA design C
- TEFC
- IP 55
- Cast iron grade 200HT
- Double punched foot
- Class F insulation VPI epoxy resin system protection
- Double sealed bearings
- Regreasable bearings on 284T frame and larger
- High grade silica electrical steel is utilized for the core of the motor winding producing a rotor with extremely low core losses



HP	RPM	Voltage	Frame	Part Number		Full Load Efficiency	Full Load Amps	Ship Weight (lbs)
				Footed	Footless			
1	1800	208-230/460V	143TC	IDC HE143TC1-4-3C	IDC HE143TC1-4-3C-RB	82.5	1.49	47
1½	3600	208-230/460V	143TC	IDC HE143TC1-1/2-2-3C	IDC HE143TC1-1/2-2-3C-RB	82.5	1.99	45
	1800	208-230/460V	145TC	IDC HE145TC1-1/2-4-3C	IDC HE145TC1-1/2-4-3C-RB	84	2.05	54
2	3600	208-230/460V	145TC	IDC HE145TC2-2-3C	IDC HE145TC2-2-3C-RB	84	2.6	47
	1800	208-230/460V	145TC	IDC HE145TC2-4-3C	IDC HE145TC2-4-3C-RB	84	2.7	56
3	3600	208-230/460V	182TC	IDC HE182TC3-2-3C	IDC HE182TC3-2-3C-RB	85.5	3.59	106
	1800	208-230/460V	182TC	IDC HE182TC3-4-3C	IDC HE182TC3-4-3C-RB	87.5	3.9	97
5	3600	208-230/460V	184TC	IDC HE184TC5-2-3C	IDC HE184TC5-2-3C-RB	87.5	5.9	114
	1800	208-230/460V	184TC	IDC HE184TC5-4-3C	IDC HE184TC5-4-3C-RB	87.5	6.48	102
7½	3600	208-230/460V	213TC	IDC HE213TC7-1/2-2-3C	IDC HE213TC7-1/2-2-3C-RB	88.5	8.66	150
	1800	208-230/460V	213TC	IDC HE213TC7-1/2-4-3C	IDC HE213TC7-1/2-4-3C-RB	89.5	9.53	150
10	3600	208-230/460V	215TC	IDC HE215TC10-2-3C	IDC HE215TC10-2-3C-RB	89.5	11.7	150
	1800	208-230/460V	215TC	IDC HE215TC10-4-3C	IDC HE215TC10-4-3C-RB	90.2	12.8	165
15	3600	208-230/460V	254TC	IDC HE254TC15-2-3C	IDC HE254TC15-2-3C-RB	90.2	17	290
	1800	208-230/460V	254TC	IDC HE254TC15-4-3C	IDC HE254TC15-4-3C-RB	91	17.9	266
20	3600	208-230/460V	256TC	IDC HE256TC20-2-3C	IDC HE256TC20-2-3C-RB	90.2	23.3	326
	1800	208-230/460V	256TC	IDC HE256TC20-4-3C	IDC HE256TC20-4-3C-RB	91	24.4	352
25	3600	208-230/460V	284TC	IDC HE284TSC25-2-3C	IDC HE284TSC25-2-3C-RB	91	29	437
	1800	208-230/460V	284TC	IDC HE284TC25-4-3C	IDC HE284TSC25-4-3C-RB	92.4	29.6	353
30	3600	208-230/460V	286TC	IDC HE286TSC30-2-3C	IDC HE286TSC30-2-3C-RB	91	33.8	404
	1800	208-230/460V	286TC	IDC HE286TC30-4-3C	IDC HE286TSC30-4-3C-RB	92.4	34.4	481
40	3600	208-230/460V	324TSC	IDC HE324TSC40-2-3C		91.7	46.1	587
	1800	208-230/460V	324TC	IDC HE324TC40-4-3C		93	47.6	587
50	3600	208-230/460V	326TSC	IDC HE326TSC50-2-3C		92.4	56.5	559
	1800	208-230/460V	326TC	IDC HE326TC50-4-3C		93.6	57.87	645
60	3600	208-230/460V	364TSC	IDC HE364TSC60-2-3C		93	69	750
	1800	208-230/460V	364TC	IDC HE364TC60-4-3C		93.6	67	727
75	3600	208-230/460V	365TSC	IDC HE365TSC75-2-3C				1010
	1800	208-230/460V	365TC	IDC HE365TC75-4-3C		94.1	82.4	1010
100	1800	208-230/460V	405TC	IDC HE405TC100-4-3C		94.5	115	1273

Dimensional data on page 27.

IDC SELECT® MOTORS

NOMENCLATURE AND DIMENSIONAL INFORMATION

NOMENCLATURE

Example:

Type	Frame	HP	RPM (poles)	Phase	Design	Part No
RS	56C	1/3	4	3	B	IDC RS56C1/3-4-3B
RS	56C	1/2	4	1	B	IDC RS56C1/2-4-1B
HE	143T	1	4	3	C	IDC HE143T1-4-3C
PE	143T	1	4	3	B	IDC PE143T1-4-3B
FD	56C	1/2	4	1	B	IDC FD56C1/2-4-1B
SS	56C	1/2	4	3	B	IDC SS56C1/2-4-3B
DP	182T	3	4	1		IDC DP182T3-4-1B
OP	213T	3	6	3	D	IDC OP213T3-6-3D
CC	182JM	3	4	3	B	IDC CC182JM3-4-3B
CC	182JP	3	4	3	B	IDC CC182JP3-4-3B

Type designations:

RS = rolled steel housing design
 HE= crusher duty (EISA compliant design C)
 PE = premium efficient
 FD = farm duty motor
 SS = stainless steel motor
 DP= open drip proof
 OP= oil well pump
 CC= close coupled pump motor

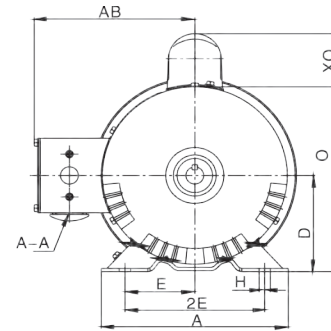
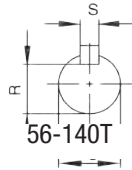
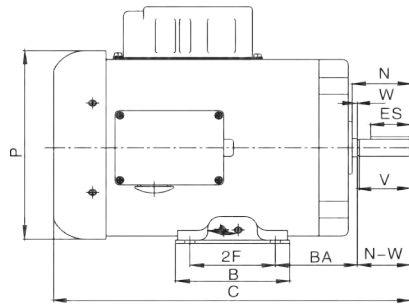
RPM	# of poles
3600	2
1800	4
1200	6
900	8

Dimensional information continued on next page.

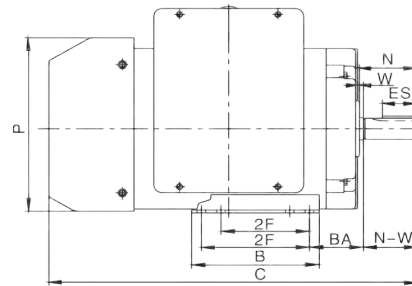
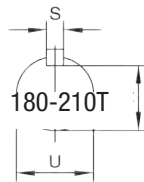
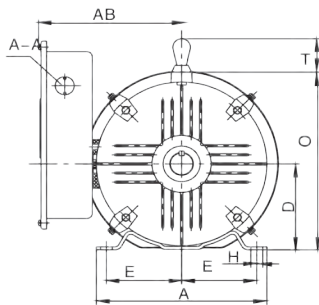
IDC SELECT® MOTORS

DIMENSIONAL INFORMATION FOR SINGLE PHASE MOTORS

MOUNTING AND OVERALL DIMENSIONS TEFC 56-215T



56 - 140T



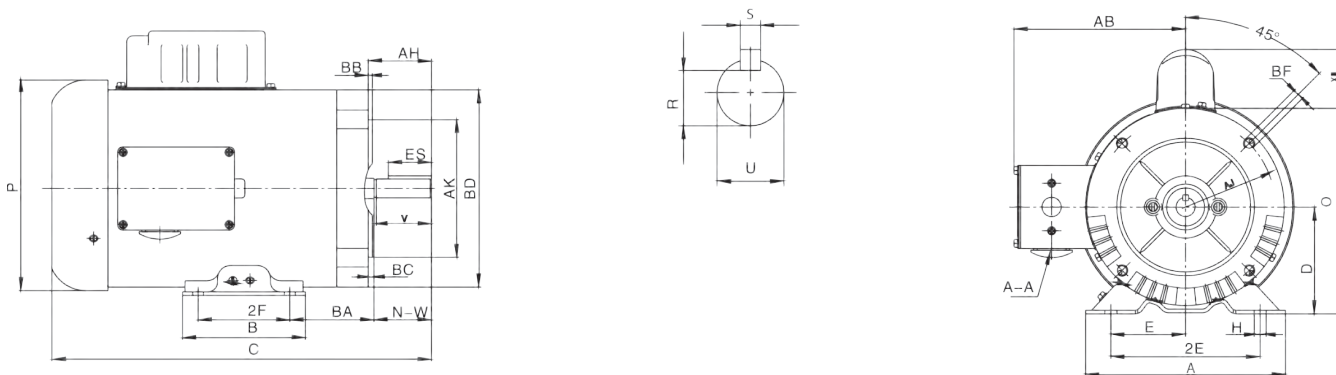
180- 210T

FRAME SIZE	AB	BA	MAX A	MAX B	C	D	E	2F	H	N	N-W	O	P	R	S	U	MIN V	MIN ES	MIN AA
56	5.6	2.75	6.5	4.2	12.7	3.5	2.44	3	0.34	2.4	1.88	6.7	7.08	0.517	0.188	0.625	1.5	1.41	1/2
143T	5.6	2.25	7	6.18	14.6	3.5	2.75	4	0.34	2.46	2.25	6.7	7.08	0.771	0.188	0.875	2	1.41	3/4
145T								5											
182T	7.2	2.75	8.5	6.5	18.8	4.5	3.75	4.5	0.41	2.98	2.75	9.25	9.25	0.986	0.25	1.125	2.5	1.78	3/4
184T								5.5											
213T	7.5	3.5	9.5	8	20.5	5.25	4.25	5.5	0.41	3.66	3.38	9.84	10	1.201	0.312	1.375	3.12	2.41	1
215T								7.0											

IDC SELECT® MOTORS

DIMENSIONAL INFORMATION FOR SINGLE PHASE MOTORS

MOUNTING AND OVERALL DIMENSIONS TEFC 56C-215TC



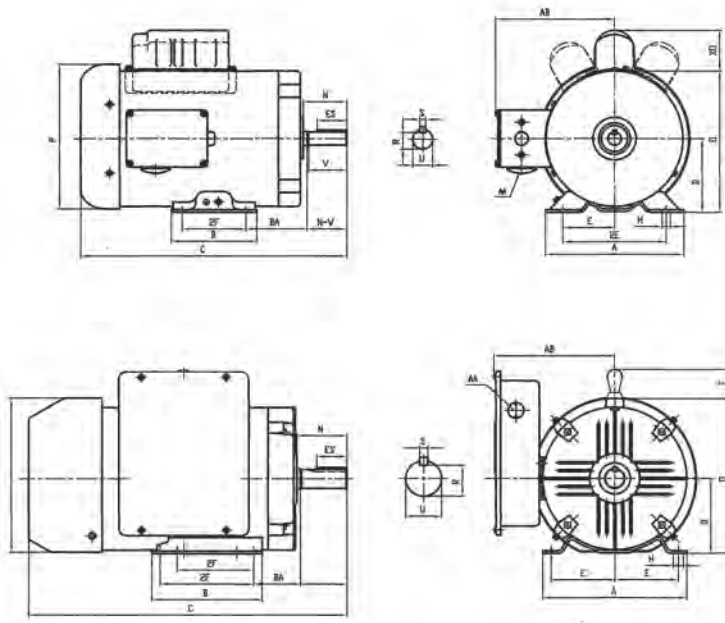
FRAME SIZE	AB	BA	MAX A	MAX B	C	D	E	2F	N-W	O	P	R	S	U	MIN ES	MIN AA
56C	5.6	2.75	6.5	4.2	12.7	3.5	2.44	3	1.88	6.7	7.08	0.517	0.188	0.625	1.41	1/2
143TC	5.6	2.75	7	6.18	14.6	3.5	2.75	4	2.25	6.7	7.08	0.771	0.188	0.875	1.41	3/4
145TC								5								
182TC	7.2	3.5	8.5	6.5	18.8	4.5	3.75	4.5	2.75	9.25	9.65	0.986	0.25	1.125	1.78	3/4
184TC								5.5								

FRAME SIZE	BF	MAX BB	MAX BD	BC	AH	AJ	AK
56C	3/8 - 16	0.16	6.5	-0.19	2.06	5.875	4.5
143TC	1/2 - 13	0.16	6.5	-0.19	2.12	5.875	4.5
145TC							
182TC	1/2 - 13	0.25	9	+0.12	2.62	7.25	8.5
184TC							

IDC SELECT® MOTORS

DIMENSIONAL INFORMATION FOR SINGLE PHASE MOTORS

MOUNTING AND OVERALL DIMENSIONS TEFC 56-215T



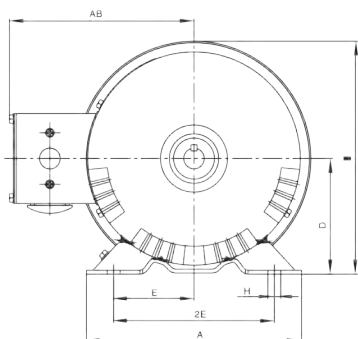
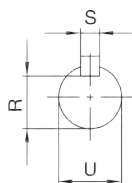
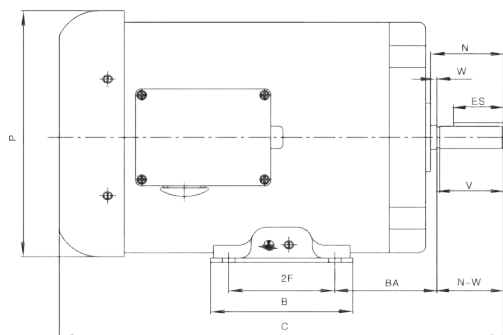
FRAME SIZE	7.5AB	BA	MAX A	MAX B	C	D	E	2F	N-W	O	P	R	S	U	MIN ES	MIN AA	BF
56	5.6	2.75	6.5	4.2	12.7	3.5	2.44	3	1.88	6.7	7.08	0.517	0.188	0.625	1.41	1/2	3/8-16
143T	5.6	2.75	7	6.18	14.6	3.5	2.75	4	2.25	6.7	7.08	0.771	0.188	0.875	1.41	3/4	1/2-13
145T								5									
182T	7.2	3.5	8.5	6.5	18.8	4.5	3.75	4.5	2.75	9.25	9.65	0.986	0.25	1.125	1.78	3/4	1/2-13
184T								5.5									
213T	7.5	4.25	9.5	8	20.5	5.25	4.25	5.5	3.38	9.84	10	1.201	0.312	1.375	2.41	1	1/2-13
215T								7.0									

FRAME SIZE	MAX BB	MAX BD	BC	AH	AJ	AK
56	0.16	6.5	-0.19	2.06	5.875	4.5
143T	0.16	6.5	+0.12	2.12	5.875	4.5
145T						
182T	0.25	9	+0.12	2.62	7.25	8.5
184T						
213T	0.25	9	+0.25	3.12	7.25	8.5
215T						

IDC SELECT® MOTORS

DIMENSIONAL INFORMATION FOR THREE PHASE MOTORS

MOUNTING AND OVERALL DIMENSIONS TEFC 56-215T

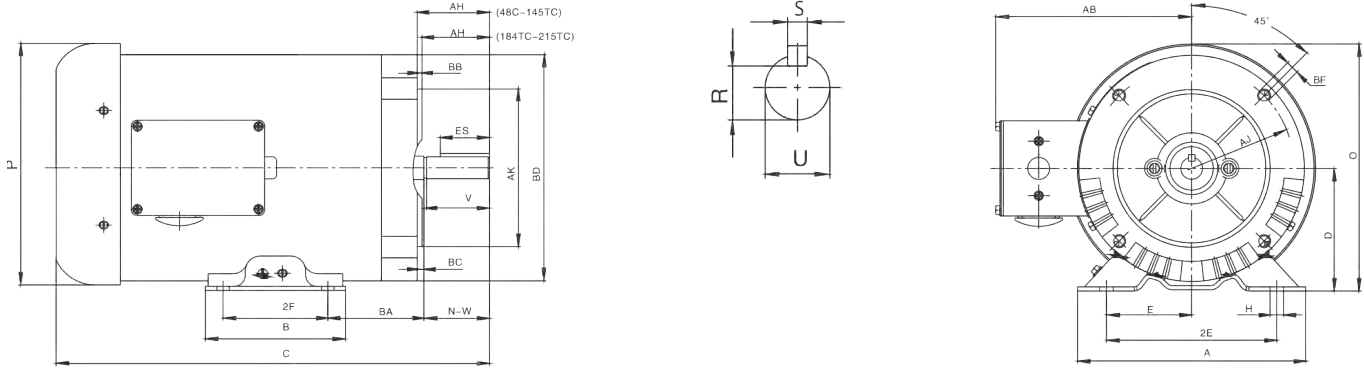


FRAME SIZE	AB	BA	MAX A	MAX B	C	D	E	2F	H	N	N-W	O	P	R	S	U	MIN V	MIN ES	MIN AA
56	5.6	2.75	6.5	4.2	12.7	3.5	2.44	3	0.34	2.4	1.88	6.7	7.08	0.517	0.188	0.625	1.5	1.41	1/2
143T	5.6	2.25	7	6.18	14.6	3.5	2.75	4	0.34	2.46	2.25	6.7	7.08	0.771	0.188	0.875	2	1.41	3/4
145T								5											
182T	7.2	2.75	8.5	6.5	18.8	4.5	3.75	4.5	0.41	2.98	2.75	9.25	9.25	0.986	0.25	1.125	2.5	1.78	3/4
184T								5.5											
213T	7.5	3.5	9.5	8	20.5	5.25	4.25	5.5	0.41	3.66	3.38	9.84	10	1.201	0.312	1.375	3.12	2.41	1
215T								7.0											

IDC SELECT® MOTORS

DIMENSIONAL INFORMATION FOR THREE PHASE MOTORS

MOUNTING AND OVERALL DIMENSIONS TEFC 56C-215TC



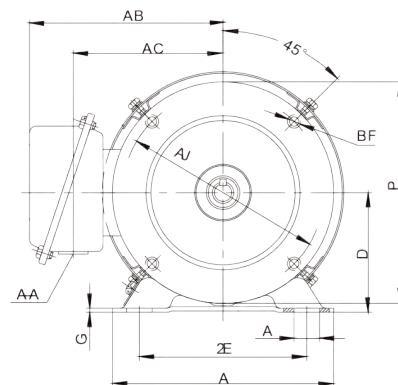
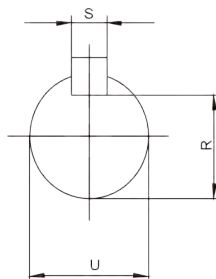
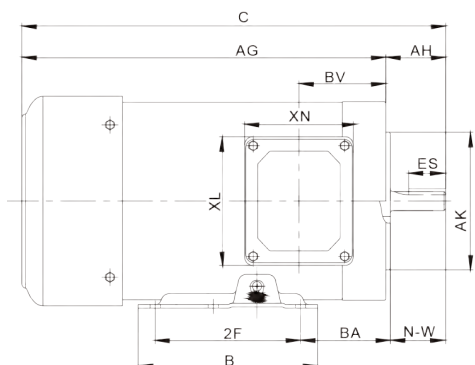
FRAME SIZE	AB	BA	MAX A	MAX B	MAX BB	MAX BD	C	D	E	2F	H	N-W	O	P	R	S	U
56C	5.6	2.75	6.5	4.2	0.16	6.5	12.7	3.5	2.44	3	0.34	1.88	6.7	7.08	0.517	0.188	0.625
143TC 145TC	5.6	2.75	7	6.18	0.16	6.5	14.6	3.5	2.75	4 5	0.34	2.25	6.7	7.08	0.771	0.188	0.875
182TC 184TC	7.2	3.5	8.5	6.5	0.25	9	18.5	4.5	3.75	4.5 5.5	0.41	2.75	9.25	9.65	0.986	0.25	1.125
213TC 215TC	7.5	4.25	9.5	8	0.25	9	20.5	5.25	4.25	5.5 7.0	0.41	3.38	9.84	10.0	1.201	0.312	1.375

FRAME SIZE	MIN ES	MIN AA	AH	BF	BC	AJ	AK	Min V
56C	1.41	1/2	2.06	3/8-16	-0.19	5.875	4.5	1.5
143TC 145TC	1.41	3/4	2.12	1/2-13	+0.12	5.875	4.5	2
182TC 184TC	1.78	3/4	2.62	1/2-13	+0.12	7.25	8.5	2.5
213TC 215TC	2.41	1	3.12	1/2-13	+0.25	7.25	8.5	3.12

IDC SELECT® MOTORS

DIMENSIONAL INFORMATION FOR STAINLESS STEEL MOTORS

MOUNTING AND OVERALL DIMENSIONS 56C-215TC



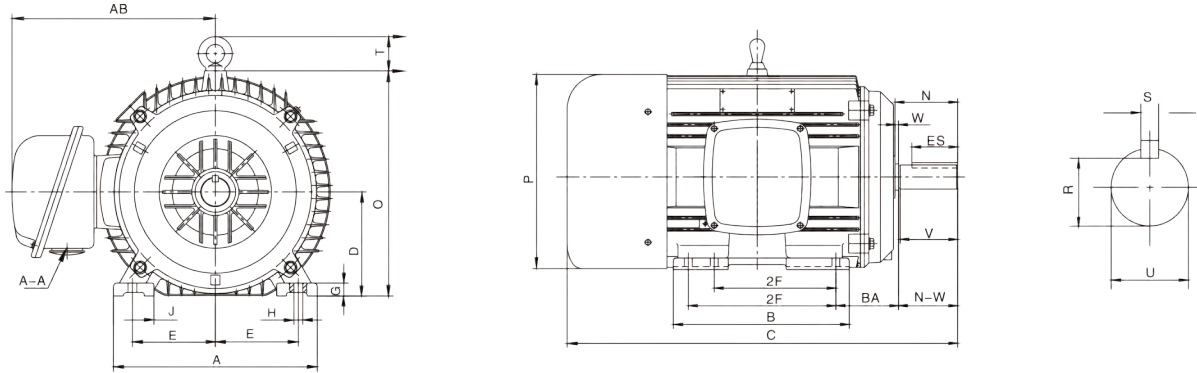
FRAME SIZE	MOUNTING							CONDUIT BOX					MOTOR DIMENSIONS					
	D	E	2F	A	B	BA	H	AB	AC	XL	XN	AA	C	AH	AJ	AK	P	N-W
56C	3.5	2.44	3.0	6.5	6.5	2.75	1.22X.34	5.75	4.25	4.72	3.80	0.86	11.59	2.06	5.875	4.5	6.5	1.88
143TC	3.5	2.75	4.0	6.5	6.5	2.75	1.22X.34	5.75	4.25	4.72	3.80	0.86	12.63	2.12	5.875	4.5	6.5	1.88
145TC	3.5	5.75	4.0	6.5	6.5	2.75	1.22X.34	5.75	4.25	4.72	3.80	0.86	13.68	2.12	5.875	4.5	6.5	2.25
182TC	4.5	3.75	4.5	8.8	6.5	3.50	0.71x0.47	7.00	5.30	4.45	4.05	0.94	16.40	2.62	7.250	8.5	8.9	2.75
184TC	4.5	3.75	4.5	8.8	6.5	3.50	0.71x0.47	7.00	5.30	4.45	4.05	0.94	16.40	2.62	7.250	8.5	8.9	2.75
213TC	5.25	4.25	5.5	10	8.5	4.25	0.71x0.47	7.60	6.20	4.45	4.05	0.94	21.50	3.12	7.250	8.5	10	3.38
215TC	5.25	4.25	7.0	10	8.5	4.25	0.71x0.47	7.60	6.20	4.45	4.05	0.94	22.30	3.12	7.250	8.5	10	3.38

FRAME SIZE	KEYSEAT			BEARINGS			ENC
	U	R	S	ES	ODE	OD	
56C	0.625	0.517	0.188	1.41	6205Z	6205Z	TEFC
143TC	0.625	0.517	0.188	1.41	6205Z	6205Z	TEFC
145TC	0.875	0.771	0.188	1.41	6205Z	6205Z	TEFC
182TC	1.125	0.986	0.250	1.78	6307Z	6308Z	TEFC
184TC	1.125	0.986	0.250	1.78	6307Z	6308Z	TEFC
213TC	1.375	1.201	0.312	2.41	6308Z	6308Z	TEFC
215TC	1.375	1.201	0.312	2.41	6308Z	6308Z	TEFC

IDC SELECT® MOTORS

DIMENSIONAL INFORMATION FOR CAST IRON TEFC MOTORS

MOUNTING AND OVERALL DIMENSIONS 143T-405T



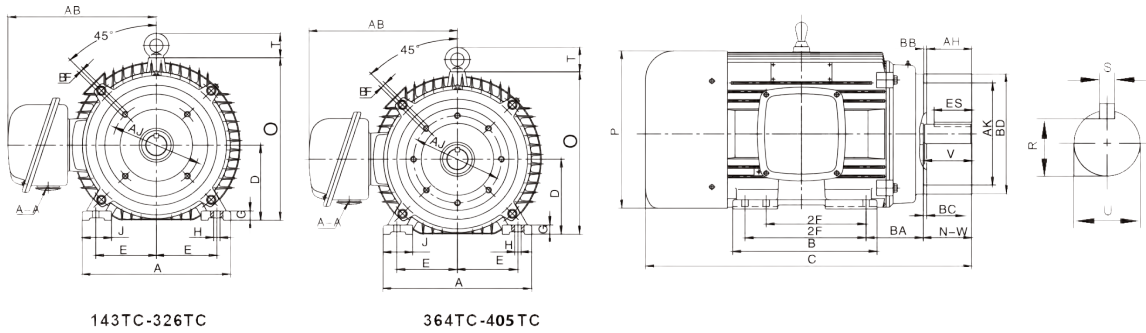
TYPE	A	B	C	D	E	2F	G	H	J	O	P	R	S	T	U
143T/145T	7	6	15.35	3.5	2.75	4/5	0.52	0.34	1.58	7.52	7.68	0.771	0.188	1.42	0.875
182T/184T	9	7.3	17.72	4.5	3.75	4.5/5.5	0.67	0.41	1.97	9.83	10.16	0.986	0.25	1.73	1.125
213T/215T	10.5	9.4	22.25	5.25	4.25	5.5/7	0.73	0.41	2.2	11.62	11.65	1.201	0.312	2.05	1.375
254T/256T	12.3	12	27	6.25	5.0	8.25/10	0.79	0.53	2.44	13.8	13.98	1.416	0.375	2.05	1.625
284T/286T	13.8	13.6	30.2	7	5.5	9.5/11	0.87	0.53	2.84	15.6	15.63	1.591	0.5	2.44	1.875
284TS/286TS	13.8	13.6	28.83	7	5.5	9.5/11	0.87	0.53	2.84	15.6	15.63	1.416	0.375	2.44	1.625
324T/326T	15.3	14.1	32.4	8	6.25	10.5/12	1.03	0.66	2.95	17.32	17.46	1.845	0.5	2.44	2.125
324TS/326TS	15.3	14.1	30.9	8	6.25	10.5/12	1.03	0.66	2.95	17.32	17.46	1.591	0.5	2.44	1.875
364T/365T	17.2	16.2	36.5	9	7	11.25/12.25	1.1	0.66	3.23	18.98	19.06	2.021	0.625	2.44	2.375
364TS/365TS	17.2	16.2	34.02	9	7	11.25/12.25	1.1	0.66	3.23	18.98	19.06	1.591	0.5	2.44	1.875
404T/405T	19.22	20	41.36	10	8	12.25/13.75	1.2	0.81	3.35	20.96	21.56	2.45	0.75	2.84	2.875
404TS/405TS	19.22	20	38.36	10	8	12.25/13.75	1.2	0.81	3.35	20.96	21.56	1.845	0.5	2.84	2.215

TYPE	MIN V	MIN ES	AA	AB	BA	N	N-W
143T/145T	2	1.41	3/4	7.36	2.25	2.44	2.25
182T/184T	2.5	1.78	3/4	8.66	2.75	2.99	2.75
213T/215T	3.12	2.41	1	9.65	3.5	3.65	3.38
254T/256T	3.75	2.91	1 1/4	12.26	4.25	4.4	4
284T/286T	4.38	3.28	1 1/2	13.98	4.75	5.02	4.62
284TS/286TS	3	1.91	1 1/2	13.98	4.75	5.02	3.25
324T/326T	5	3.91	2	15.55	5.25	5.25	5.25
324TS/326TS	3.5	2.03	2	15.55	5.25	5.65	3.75
364T/365T	5.62	4.28	3	16.56	5.88	6.28	5.88
364TS/365TS	3.5	2.03	3	16.56	5.88	6.28	3.75
404T/405T	7	5.65	3	18.37	6.62	7.28	7.25
404TS/405TS	4	2.78	3	18.37	6.62	7.73	4.25

IDC SELECT® MOTORS

DIMENSIONAL INFORMATION FOR CAST IRON TEFC MOTORS

MOUNTING AND OVERALL DIMENSIONS 143TC-405TC



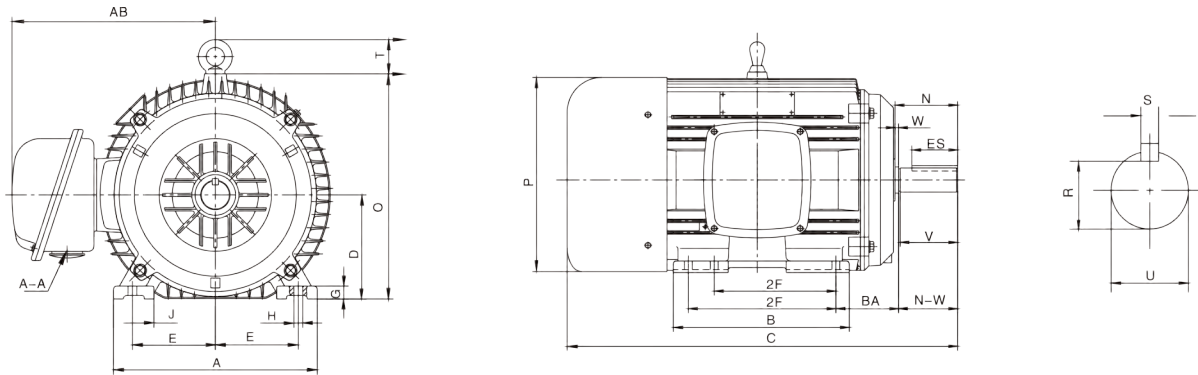
TYPE	A	B	C	D	E	2F	G	H	J	O	P	R	S	T	U	MIN V	MIN ES
143TC/145TC	7	6	15.35	3.5	2.75	4/5	.52	.34	1.58	7.52	7.68	7.68	.188	1.42	0.875	2	1.41
182TC/184TC	9	7.3	17.72	4.5	3.75	4.5/5.5	.67	.41	1.97	9.83	10.16	10.16	0.25	1.73	1.125	2.5	1.78
213TC/215TC	10.5	9.4	22.25	5.25	4.25	5.5/7	.73	.41	2.2	11.62	11.65	11.65	.312	2.05	1.375	3.12	2.41
254TC/256TC	12.3	12	27	6.25	5.0	8.25/10	.79	.53	2.44	13.8	13.98	13.98	.375	2.05	1.625	3.75	2.91
284TC/286TC	13.8	13.6	30.2	7	5.5	9.5/11	.87	.53	2.84	15.6	15.63	15.63	0.5	2.44	1.875	4.38	3.28
284TSC/286TSC	13.8	13.6	28.83	7	5.5	9.5/11	.87	.53	2.84	15.6	15.63	15.63	.375	2.44	1.625	3	1.91
324TC/326TC	15.3	14.1	32.4	8	6.25	10.5/12	1.03	.66	2.95	17.32	17.46	17.46	0.5	2.44	2.125	5	3.91
324TSC/326TSC	15.3	14.1	30.9	8	6.25	10.5/12	1.03	.66	2.95	17.32	17.46	17.46	0.5	2.44	1.875	3.5	2.03
364TC/365TC	17.2	16.2	36.5	9	7	11.25/12.25	1.1	.66	3.23	18.98	19.06	19.06	.625	2.44	2.375	5.62	4.28
364TSC/365TSC	17.2	16.2	36.5	9	7	11.25/12.25	1.1	.66	3.23	18.98	19.06	19.06	0.5	2.44	1.875	3.5	2.03
404TC/405TC	19.2	20	41.36	10	8	12.25/13.75	1.2	.81	3.35	20.96	21.56	2.45	.75	2.84	2.875	7	5.65
404TSC/405TSC	19.2	20	38.36	10	8	12.25/13.75	1.2	.81	3.35	20.96	21.56	1.845	.5	2.84	2.215	4	2.78

TYPE	AA	AB	BA	N	N-W	AH	AJ	AK	BB	BC	BD	BF
143TC/145TC	3/4	7.36	2.75	2.44	2.25	2.12	5.875	4.5	.16	0.12	6.5	3/8-16
182TC/184TC	3/4	8.66	3.5	2.99	2.75	2.62	7.25	8.5	.25	+0.12	9	1/2-13
213TC/215TC	1	9.65	4.25	3.65	3.38	3.12	7.25	8.5	.25	+0.25	9	1/2-13
254TC/256TC	1 1/4	12.26	4.75	4.4	4	3.75	7.25	8.5	.25	+0.25	10	1/2-13
284TC/286TC	1 1/2	13.98	4.75	5.02	4.62	4.38	9	10.5	.25	+0.25	11.25	1/2-13
284TSC/286TSC	1 1/2	13.98	4.75	5.02	3.25	3.0	9	10.5	.25	+0.25	11.25	1/2-13
324TC/326TC	2	15.55	5.25	5.25	5.25	5.0	11	12.5	.25	+0.25	14	5/8-11
324TSC/326TSC	2	15.55	5.25	5.65	3.75	3.5	11	12.5	.25	+0.25	14	5/8-11
364TC/365TC	3	16.56	5.88	6.28	5.88	5.62	11	12.5	.25	+0.25	14	5/8-11
364TSC/365TSC	3	16.56	5.88	6.28	3.75	3.5	11	12.5	.25	+0.25	14	5/8-11
404TC/405TC	3	18.37	6.62	7.28	7.25	7	11	12.5	.25	+0.25	15.5	5/8-11
404TSC/405TSC	3	18.37	6.62	7.73	4.25	4	11	12.5	.25	+0.25	15.5	5/8-11

IDC SELECT® MOTORS

DIMENSIONAL INFORMATION FOR CAST IRON TEFC MOTORS

MOUNTING AND OVERALL DIMENSIONS 143T-405T



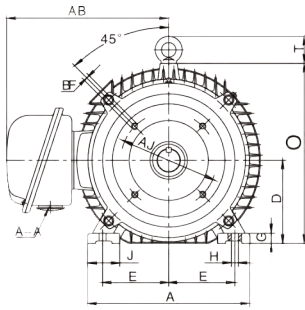
FRAME SIZE	AB	BA	MAX A	MAX B	E	2F	G	H	J	O	P	R	S	T	U
143T/145T	7	6	15.35	3.5	2.75	4/5	0.52	0.34	1.58	7.52	7.68	0.771	0.188	1.42	0.875
182T/184T	9	7.3	17.72	4.5	3.75	4.5/5.5	0.67	0.41	1.97	9.83	10.16	0.986	0.25	1.73	1.125
213T/215T	10.5	9.4	22.25	5.25	4.25	5.5/7	0.73	0.41	2.2	11.62	11.65	1.201	0.312	2.05	1.375
254T/256T	12.3	12	27	6.25	5.0	8.25/10	0.79	0.53	2.44	13.8	13.98	1.416	0.375	2.05	1.625
284T/286T	13.8	13.6	30.2	7	5.5	9.5/11	0.87	0.53	2.84	15.6	15.63	1.591	0.5	2.44	1.875
284TS/286TS	13.8	13.6	28.83	7	5.5	9.5/11	0.87	0.53	2.84	15.6	15.63	1.416	0.375	2.44	1.625
324T/326T	15.3	14.1	32.4	8	6.25	10.5/12	1.03	0.66	2.95	17.32	17.46	1.845	0.5	2.44	2.125
324TS/326TS	15.3	14.1	30.9	8	6.25	10.5/12	1.03	0.66	2.95	17.32	17.46	1.591	0.5	2.44	1.875
364T/365T	17.2	16.2	36.5	9	7	11.25/12.25	1.1	0.66	3.23	18.98	19.06	2.021	0.625	2.44	2.375
364TS/365TS	17.2	16.2	34.02	9	7	11.25/12.25	1.1	0.66	3.23	18.98	19.06	1.591	0.5	2.44	1.875
404T/405T	19.22	20	41.36	10	8	12.25/13.75	1.2	0.81	3.35	20.96	21.56	2.45	0.75	2.84	2.875
404TS/405TS	19.22	20	38.36	10	8	12.25/13.75	1.2	0.81	3.35	20.96	21.56	1.845	0.5	2.84	2.215

FRAME SIZE	MIN V	MIN ES	AA	AB	BA	N	N-W
143T/145T	2	1.41	3/4	7.36	2.25	2.44	2.25
182T/184T	2.5	1.78	3/4	8.66	2.75	2.99	2.75
213T/215T	3.12	2.41	1	9.65	3.5	3.65	3.38
254T/256T	3.75	2.91	1 1/4	12.26	4.25	4.4	4
284T/286T	4.38	3.28	1 1/2	13.98	4.75	5.02	4.62
284TS/286TS	3	1.91	1 1/2	13.98	4.75	5.02	3.25
324T/326T	5	3.91	2	15.55	5.25	5.25	5.25
324TS/326TS	3.5	2.03	2	15.55	5.25	5.65	3.75
364T/365T	5.62	4.28	3	16.56	5.88	6.28	5.88
364TS/365TS	3.5	2.03	3	16.56	5.88	6.28	3.75
404T/405T	7	5.65	3	18.37	6.62	7.28	7.25
404TS/405TS	4	2.78	3	18.37	6.62	7.73	4.25

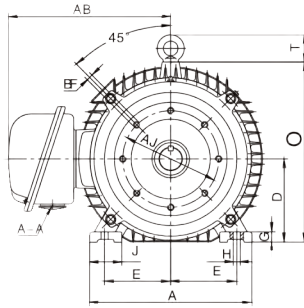
IDC SELECT® MOTORS

DIMENSIONAL INFORMATION FOR CAST IRON TEFC MOTORS

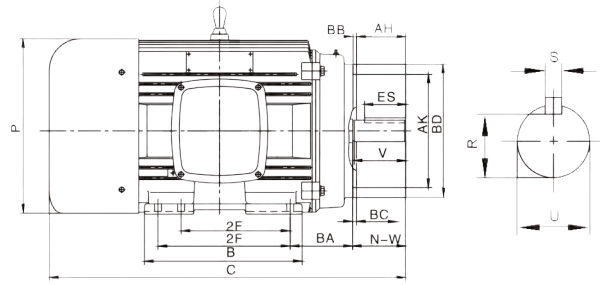
MOUNTING AND OVERALL DIMENSIONS 143TC-405TC



143TC-326TC



364TC-405TC

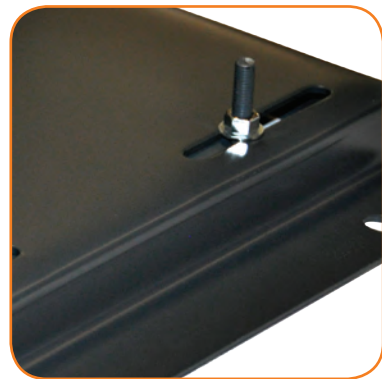


TYPE	A	B	C	D	E	2F	G	H	J	O	P	R	S	T	U	MIN V	MIN ES
143TC/145TC	7	6	15.35	3.5	2.75	4/5	.52	.34	1.58	7.52	7.68	7.68	.188	1.42	0.875	2	1.41
182TC/184TC	9	7.3	17.72	4.5	3.75	4.5/5.5	.67	.41	1.97	9.83	10.16	10.16	0.25	1.73	1.125	2.5	1.78
213TC/215TC	10.5	9.4	22.25	5.25	4.25	5.5/7	.73	.41	2.2	11.62	11.65	11.65	.312	2.05	1.375	3.12	2.41
254TC/256TC	12.3	12	27	6.25	5.0	8.25/10	.79	.53	2.44	13.8	13.98	13.98	.375	2.05	1.625	3.75	2.91
284TC/286TC	13.8	13.6	30.2	7	5.5	9.5/11	.87	.53	2.84	15.6	15.63	15.63	0.5	2.44	1.875	4.38	3.28
284TSC/286TSC	13.8	13.6	28.83	7	5.5	9.5/11	.87	.53	2.84	15.6	15.63	15.63	.375	2.44	1.625	3	1.91
324TC/326TC	15.3	14.1	32.4	8	6.25	10.5/12	1.03	.66	2.95	17.32	17.46	17.46	0.5	2.44	2.125	5	3.91
324TSC/326TSC	15.3	14.1	30.9	8	6.25	10.5/12	1.03	.66	2.95	17.32	17.46	17.46	0.5	2.44	1.875	3.5	2.03
364TC/365TC	17.2	16.2	36.5	9	7	11.25/12.25	1.1	.66	3.23	18.98	19.06	19.06	.625	2.44	2.375	5.62	4.28
364TSC/365TSC	17.2	16.2	36.5	9	7	11.25/12.25	1.1	.66	3.23	18.98	19.06	19.06	0.5	2.44	1.875	3.5	2.03
404TC/405TC	19.22	20	37.6	10	8	12.25/13.75	1.2	.81	3.35	20.96	19.15	2.45	0.75	2.84	2.875	7	5.65
404TSC/405TSC	19.22	20	34.6	10	8	12.25/13.75	1.2	.81	3.35	20.96	19.15	1.845	0.5	2.84	2.215	4	2.78

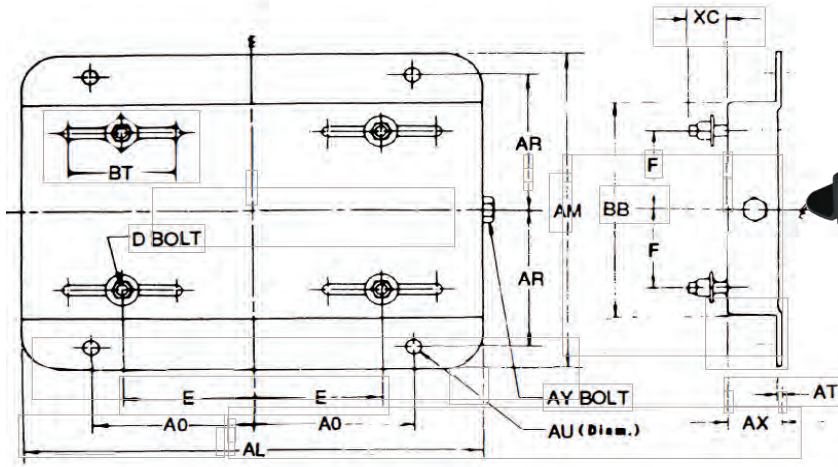
TYPE	AA	AB	BA	N	N-W	AH	AJ	AK	BB	BC	BD	BF
143TC/145TC	3/4	7.36	2.75	2.44	2.25	2.12	5.875	4.5	.16	0.12	6.5	3/8-16
182TC/184TC	3/4	8.66	3.5	2.99	2.75	2.62	7.25	8.5	.25	+0.12	9	1/2-13
213TC/215TC	1	9.65	4.25	3.65	3.38	3.12	7.25	8.5	.25	+0.25	9	1/2-13
254TC/256TC	1 1/4	12.26	4.75	4.4	4	3.75	7.25	8.5	.25	+0.25	10	1/2-13
284TC/286TC	1 1/2	13.98	4.75	5.02	4.62	4.38	9	10.5	.25	+0.25	11.25	1/2-13
284TSC/286TSC	1 1/2	13.98	4.75	5.02	3.25	3.0	9	10.5	.25	+0.25	11.25	1/2-13
324TC/326TC	2	15.55	5.25	5.25	5.25	5.0	11	12.5	.25	+0.25	14	5/8-11
324TSC/326TSC	2	15.55	5.25	5.65	3.75	3.5	11	12.5	.25	+0.25	14	5/8-11
364TC/365TC	3	16.56	5.88	6.28	5.88	5.62	11	12.5	.25	+0.25	14	5/8-11
364TSC/365TSC	3	16.56	5.88	6.28	3.75	3.5	11	12.5	.25	+0.25	14	5/8-11
404TC/405TC	3	17.37	6.62	7.28	7.25	7	11	12.5	.25	+0.25	15.5	5/8-11
404TSC/405TSC	3	17.37	6.62	7.73	4.25	4	11	12.5	.25	+0.25	15.5	5/8-11

MOTOR BASES

IDC Select® adjustable motor bases are available in two styles. Style A and A2 are intended for fractional and smaller horsepower motors up to approximately 20 HP. This style motor base offers a one-piece formed base plate with single or double bolt adjustment. Style B and B2 fabricated metal bases cover frames sizes from 254 through 445 in a single adjusting design and 254 through 449 in a double adjusting design.



STYLE A & A2 NEMA STEEL ADJUSTABLE MOTOR BASE



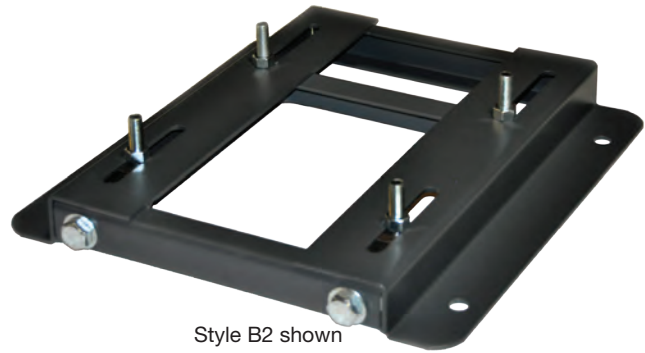
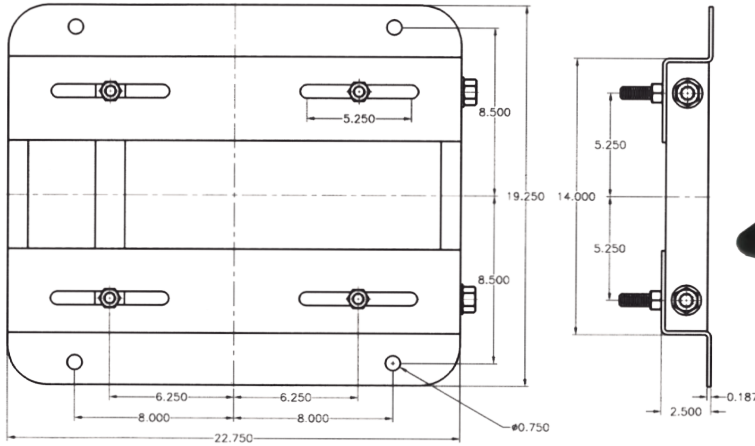
Style A shown

Frame & Part No.	AL	AM	AX	BB	E	F	A0	AR	AU	BT	AT	X C	D Bolt	AV Bolt	Weight lbs approx.
56	10 ⁵ / ₈	6 ¹ / ₂	1 ¹ / ₈	4 ¹ / ₂	2 ⁷ / ₁₆	1 ¹ / ₂	3 ¹³ / ₁₆	2 ⁷ / ₈	3 ³ / ₈	3	.078	7 ⁷ / ₈	5 ¹ / ₁₆ X 1	3 ³ / ₈ X 4	3
66	12	8 ¹ / ₂	1 ¹ / ₈	6 ¹ / ₂	3 ¹ / ₈	2 ¹ / ₂	4 ¹ / ₂	3 ⁷ / ₈	3 ³ / ₈	3	.078	7 ⁷ / ₈	5 ¹ / ₁₆ X 1	3 ³ / ₈ X 4	4
143	10 ¹ / ₂	7 ¹ / ₂	1 ¹ / ₈	5 ¹ / ₂	2 ³ / ₄	2	3 ³ / ₄	3 ³ / ₈	3 ³ / ₈	3	.119	1 ³ / ₁₆	5 ¹ / ₁₆ X 1	3 ³ / ₈ X 4	5
143A2	10 ¹ / ₂	7 ¹ / ₂	1 ¹ / ₈	5 ¹ / ₂	2 ³ / ₄	2	3 ³ / ₄	3 ³ / ₈	3 ³ / ₈	3	.119	1 ³ / ₁₆	5 ¹ / ₁₆ X 1	3 ³ / ₈ X 4	5
145	10 ¹ / ₂	8 ¹ / ₂	1 ¹ / ₈	6 ¹ / ₂	2 ³ / ₄	2 ¹ / ₂	3 ³ / ₄	3 ⁷ / ₈	3 ³ / ₈	3	.119	1 ³ / ₁₆	5 ¹ / ₁₆ X 1	3 ³ / ₈ X 4	6
145A2	10 ¹ / ₂	8 ¹ / ₂	1 ¹ / ₈	6 ¹ / ₂	2 ³ / ₄	2 ¹ / ₂	3 ³ / ₄	3 ⁷ / ₈	3 ³ / ₈	3	.119	1 ³ / ₁₆	5 ¹ / ₁₆ X 1	3 ³ / ₈ X 4	6
182	12 ³ / ₄	9 ¹ / ₂	1 ¹ / ₂	6 ¹ / ₂	3 ³ / ₄	2 ¹ / ₄	4 ¹ / ₂	4 ¹ / ₄	1 ¹ / ₂	3	.134	1 ¹ / ₂	3 ³ / ₈ X 1 ³ / ₄	1 ¹ / ₂ X 6	9
182A2	12 ³ / ₄	9 ¹ / ₂	1 ¹ / ₂	6 ¹ / ₂	3 ³ / ₄	2 ¹ / ₄	4 ¹ / ₂	4 ¹ / ₄	1 ¹ / ₂	3	.134	1 ¹ / ₂	3 ³ / ₈ X 1 ³ / ₄	1 ¹ / ₂ X 6	9
184	12 ³ / ₄	10 ¹ / ₂	1 ¹ / ₂	7 ¹ / ₂	3 ³ / ₄	2 ³ / ₄	4 ¹ / ₂	4 ³ / ₄	1 ¹ / ₂	3	.134	1 ¹ / ₂	3 ³ / ₈ X 1 ³ / ₄	1 ¹ / ₂ X 6	9 ¹ / ₂
184A2	12 ³ / ₄	10 ¹ / ₂	1 ¹ / ₂	7 ¹ / ₂	3 ³ / ₄	2 ³ / ₄	4 ¹ / ₂	4 ³ / ₄	1 ¹ / ₂	3	.134	1 ¹ / ₂	3 ³ / ₈ X 1 ³ / ₄	1 ¹ / ₂ X 6	9 ¹ / ₂
213	15	11	1 ³ / ₄	7 ¹ / ₂	4 ¹ / ₄	2 ³ / ₄	5 ¹ / ₄	4 ³ / ₄	1 ¹ / ₂	3 ¹ / ₂	.164	1 ¹ / ₂	3 ³ / ₈ X 1 ³ / ₄	1 ¹ / ₂ X 6	13 ¹ / ₂
213A2	15	11	1 ³ / ₄	7 ¹ / ₂	4 ¹ / ₄	2 ³ / ₄	5 ¹ / ₄	4 ³ / ₄	1 ¹ / ₂	3 ¹ / ₂	.164	1 ¹ / ₂	3 ³ / ₈ X 1 ³ / ₄	1 ¹ / ₂ X 6	13 ¹ / ₂
215	15	12 ¹ / ₂	1 ³ / ₄	9	4 ¹ / ₄	3 ¹ / ₂	5 ¹ / ₄	5 ¹ / ₂	1 ¹ / ₂	3 ¹ / ₂	.164	1 ¹ / ₂	3 ³ / ₈ X 1 ³ / ₄	1 ¹ / ₂ X 6	15 ¹ / ₂
215A2	15	12 ¹ / ₂	1 ³ / ₄	9	4 ¹ / ₄	3 ¹ / ₂	5 ¹ / ₄	5 ¹ / ₂	1 ¹ / ₂	3 ¹ / ₂	.164	1 ¹ / ₂	3 ³ / ₈ X 1 ³ / ₄	1 ¹ / ₂ X 6	15 ¹ / ₂

IDC SELECT® MOTORS

MOTOR BASES

STYLE B & B2 NEMA STEEL ADJUSTABLE MOTOR BASE



Frame & Part No.	AL	AM	AX	BB	E	F	A0	AR	AU	BT	AT	X C	D Bolt	AV Bolt	Weight lbs approx.
254	17¾	15⅞	2	10¾	5	4⅞	6¼	6⅝	⅝	4	⅜	17/16	½ X 1¾	⅝ X 6½	17½
254B2	17¾	15⅞	2	10¾	5	4⅞	6¼	6⅝	⅝	4	⅜	1⅜	½ X 1¾	⅝ X 9	17
256	17¾	16⅞	2	12½	5	5	6¼	7½	⅝	4	⅜	17/16	½ X 1¾	⅝ X 6½	18½
256B2	17¾	16⅞	2	12½	5	5	6¼	7½	⅝	4	⅜	1⅜	½ X 1¾	⅝ X 9	18
284	19¾	16⅞	2	12½	5½	4¾	7	7½	⅝	4½	⅜	11/16	½ X 2	⅝ X 6½	21
284B2	19¾	16⅞	2	12½	5½	4¾	7	7½	⅝	4½	⅜	1⅝	½ X 2	⅝ X 9	21
286	19¾	18⅞	2	14	5½	5½	7	8¼	⅝	4½	⅜	11/16	½ X 2	⅝ X 6½	22
286B2	19¾	18⅞	2	14	5½	5½	7	8¼	⅝	4½	⅜	1⅝	½ X 2	⅝ X 9	22
324	22¾	19¼	2½	14	6¼	5 ¼	8	8½	¾	5¼	⅜	23/16	⅝ X 2½	¾ X 9	31
324B2	22¾	19¼	2½	14	6¼	5¼	8	8½	¾	5¼	⅜	2⅞	⅝ X 2½	¾ X 9	30
326	22¾	20¾	2½	15½	6¼	6	8	9¼	¾	5¼	⅜	23/16	⅝ X 2½	¾ X 9	32
326B2	22¾	20¾	2½	15½	6¼	6	8	9¼	¾	5¼	⅜	2⅞	⅝ X 2½	¾ X 9	31
364	25½	20½	2½	15½	7	5⅝	9	9⅞	¾	6	¼	21/16	⅝ X 2½	¾ X 9	44
364B2	25½	20½	2½	15½	7	5⅝	9	9⅞	¾	6	¼	2	⅝ X 2½	¾ X 11	45
365	25½	21½	2½	16½	7	6⅞	9	9⅝	¾	6	¼	21/16	⅝ X 2½	¾ X 9	45
365B2	25½	21½	2½	16½	7	6⅞	9	9⅝	¾	6	¼	2	⅝ X 2½	¾ X 11	46
404	28¾	22⅜	3	16½	8	6⅞	10	9⅞	7/8	7	¼	2½	¾ X 3	¾ X 11	60
404B2	28¾	22⅜	3	16½	8	6⅞	10	9⅞	7/8	7	¼	29/16	¾ X 3	¾ X 14	55
405	28¾	23⅞	3	18	8	6⅞	10	10⅝	7/8	7	¼	2½	¾ X 3	¾ X 11	61
405B2	28¾	23⅞	3	18	8	6⅞	10	10⅝	7/8	7	¼	29/16	¾ X 3	¾ X 14	56
444	31¼	24⅝	3	19¼	9	7¼	11	11	7/8	7½	5/16	2½	¾ X 3	¾ X 11	83
444B2	31¼	24⅝	3	19¼	9	7¼	11	11	7/8	7½	5/16	2½	¾ X 3	¾ X 14	74
445	31¼	26⅝	3	21¼	9	8¼	11	12	7/8	7½	5/16	2½	¾ X 3	¾ X 11	85
445B2	31¼	26⅝	3	21¼	9	8¼	11	12	7/8	7½	5/16	2½	¾ X 3	¾ X 14	75
447B2	31¼	30⅞	3	24¾	9	10	11	13¾	7/8	7½	5/16	2½	¾ X 3	¾ X 14	89
449B2	31¼	35⅞	3	29¾	9	12½	11	16¼	7/8	7½	5/16	2½	¾ X 3	¾ X 14	95

MOTOR BASES

DISCLAIMER

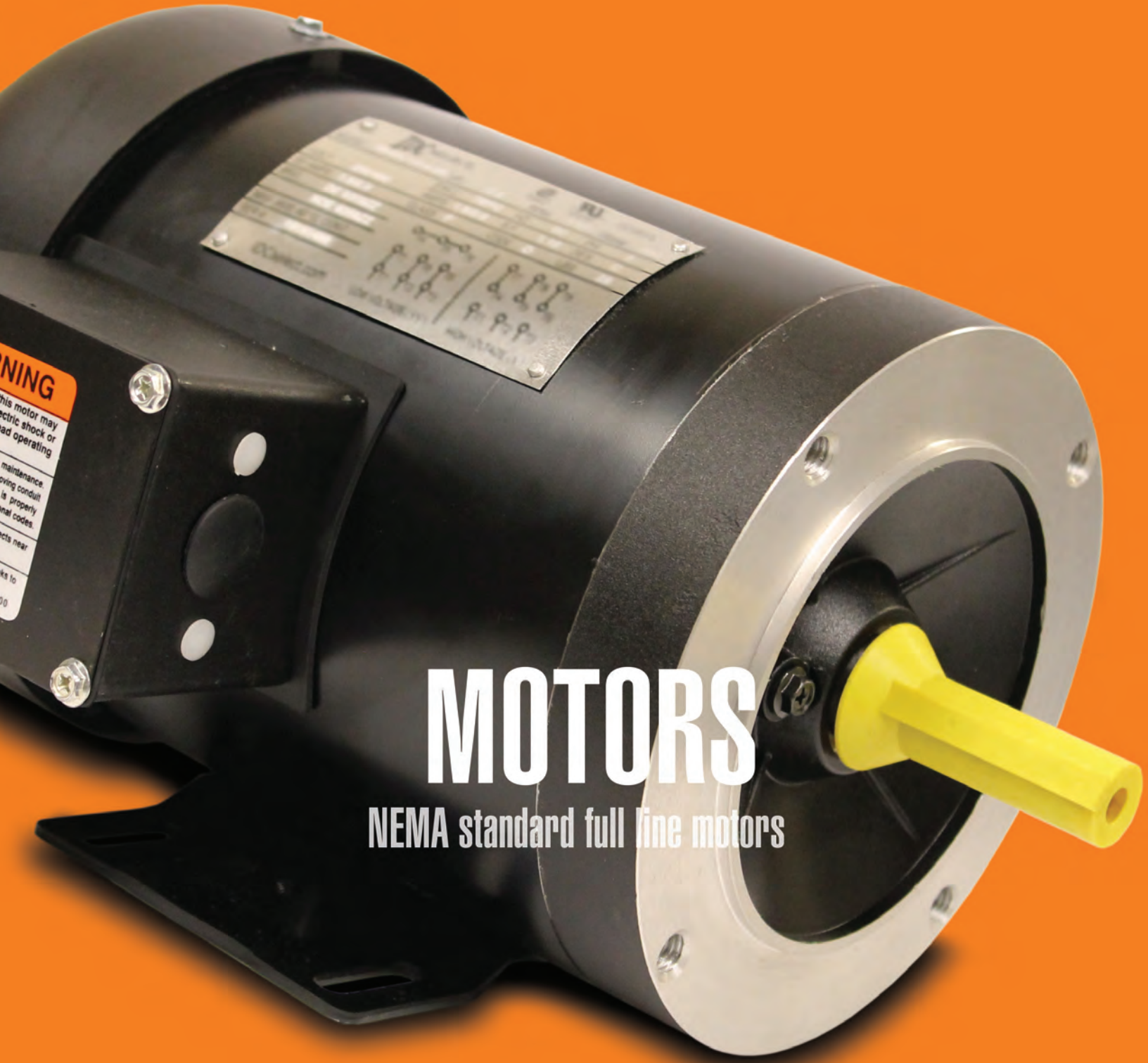
This catalog is provided solely to give you the necessary data for your product selection. Product performance is affected by many factors beyond the control of IDC Select®. Therefore, the suitability and feasibility of all products selected must be validated by you for your applications.

Every reasonable effort has been made to ensure the accuracy of the information in this writing, but no liability is accepted for errors, omissions, or for any other reason. Specifications within this catalog are subject to change without notice.

Ship weight is based upon the actual weight of the product plus storage packaging. Actual shipment may weigh more due to additional packaging, crating, palletizing, or other means to securely transport the product.

INFORMATION

Visit IDCselect.com, email info@IDCselect.com or call 1-866-575-2025.



MOTORS

NEMA standard full line motors

IDC SELECT[®]
www.IDCselect.com